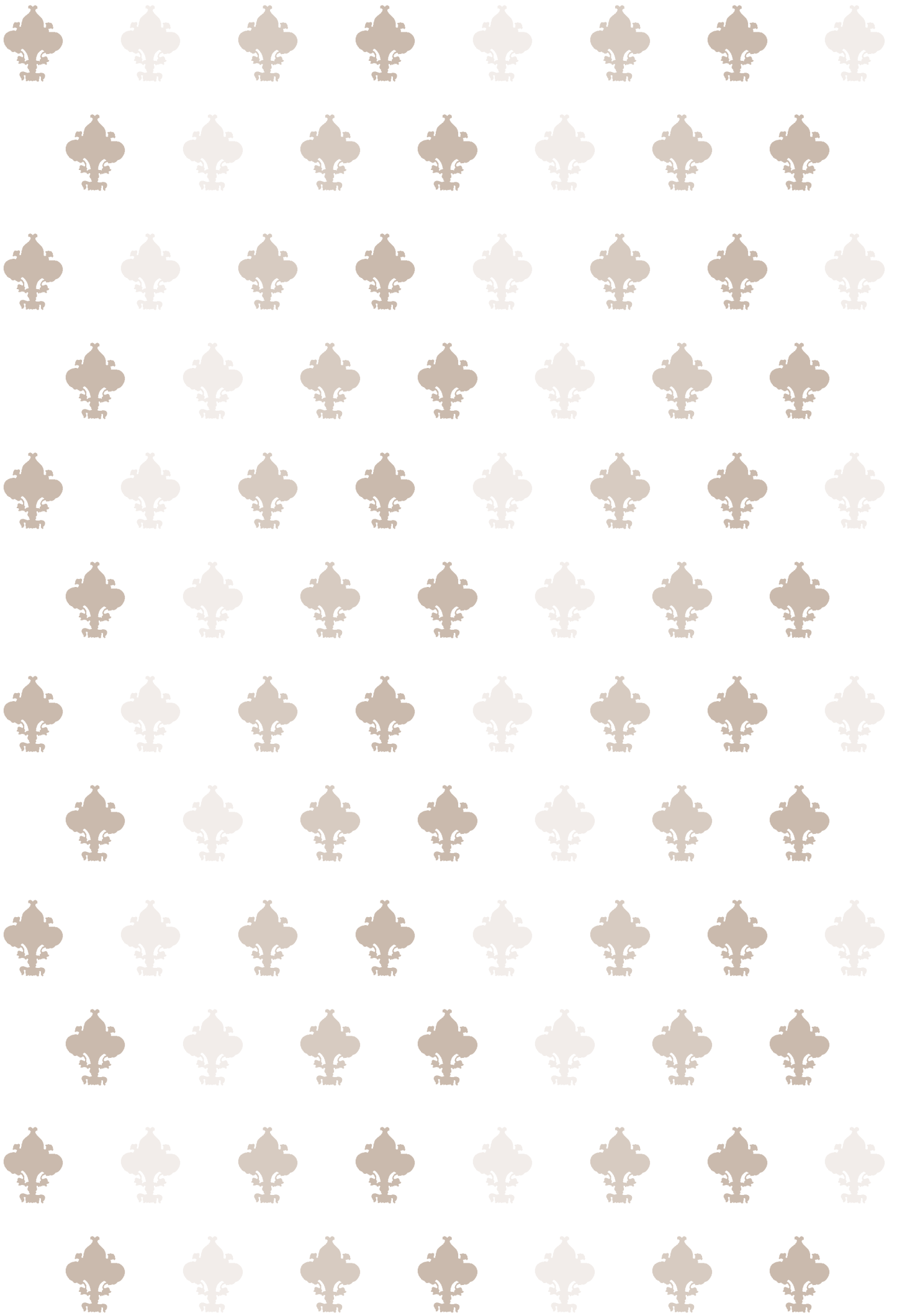


B



  
*Bronzetto* Timeless. Gli intramontabili, per ogni ambiente





## *Note / Notes*

I prodotti possono presentare piccole variazioni e imperfezioni dovute alla artigianalità della lavorazione del materiale e rendono ogni manufatto unico. Le finiture ottone e nichel sono volutamente al naturale e quindi soggette a cambiamenti e opacizzazioni che donano all'oggetto bellezza e patinatura del tempo. Qualora si voglia evitare queste alterazioni, su richiesta possiamo verniciare i manufatti, con finitura semilucida o opaca.

The products may show small variations and imperfections due to the craftsmanship of the work of the material and make unique each piece. The brass and nikel finishings are intentionally natural and so are subject to variations and opacifications that give the object beauty and patina of time. If you wish to avoid these modifications, it is possible to ask us for a semishiny or matte varnishing.

Gli articoli a catalogo sono disponibili in varie misure, per informazioni in merito è possibile richiedere le schede tecniche inviando una mail a [ufficiotecnico@ilbronzetto.com](mailto:ufficiotecnico@ilbronzetto.com)

Tutti i prodotti possono essere personalizzati previa verifica di fattibilità.

The articles in the catalog are available in various sizes, for information on this, you can request technical data sheets by sending an email to [ufficiotecnico@ilbronzetto.com](mailto:ufficiotecnico@ilbronzetto.com)

Each item could be personalized after feasibility check



*Lanterns 9*

*Chandeliers 15*

*Ceiling Lights 27*

*Spot Lights 33*

*Wall Lights 39*

*Table Lamps 65*

*Floor Lamps 79*

*Consolles & Tables 87*

*Various 97*

*Disegni tecnici / Technical design 107*

*Finiture & colori / Finishings & colours 163*



# *Gli Intramontabili*

Prodotti di alta qualità contraddistinti da linee pulite e materiali pregiati. Applique, lampadari, piantane e lampade da tavolo in cui le finiture nikelate prevalgono e i disegni geometrici si impongono per dare all'ambiente un'impronta di stile. Oggetti intramontabili e di classe, che si fanno notare sia in contesti dal design tradizionale sia in ambienti moderni e minimali. Nelle lanterne e plafoniere si alternano vetri satinati, color latte o trasparenti e l'ottone nelle finiture satinato o brunito. La linea Timeless racchiude in sé oggetti contemporanei che definiscono ambienti sobri e raffinati coniugando l'eleganza e lo stile in moderni manufatti e riedizioni di pezzi unici di design rivisitati e aggiornati per incontrare i gusti di oggi.

High quality products characterized by clean lines and fine materials. Applique, chandeliers, floor lamps and table lamps in which nickel-plated finishes prevail and geometric designs are crucial to giving the whole environment a certain stylistic quotient. Timeless and classy objects that stand out both in classic contexts as well as in modern and minimal ones. Satin-finish, milky or transparent glasses alternate with brass in satin or burnished finishes in lanterns and ceiling lights. The timeless collection reflects contemporary objects that define sober and refined environments, combining elegance and style in modern artifacts and re-editions of unique design pieces reinterpreted to meet nowadays taste.



# *Il Team*







BRASS

BRASS





# *Lanterns*



*Timeless*

*Gli intramontabili, per ogni ambiente*

# *Floor Lanterns*

pg 12



Urban 01 Hof

BR\_LN01 s / m / l



Urban 02 Hof

BR\_LN02



Urban 03 Hof

BR\_LN03



# *Lanterns*

pg 13



Novecento 314

BR\_LN314 xs / s / m / l / xl



Novecento 315

BR\_LN315 s / m / l

# *Lanterns*

pg 14



Novecento 320

BR\_LN320ottone/ BR\_LN320ferro



Novecento 321

BR\_LN321

# *Lanterns*

pg 15



Novecento 340

BR\_LN340 s / m / l



Novecento 341

BR\_LN341 m / l



# *Chandeliers*



*Timeless*

*Gli intramontabili, per ogni ambiente*

# *Chandeliers*

pg 18



Urban 01 Sputnik

BR\_L01 m / 1



Urban 02 Cosmo

BR\_L02

# *Chandeliers*

pg 19



Urban 20

BR\_L20



Urban 21

BR\_L21



# *Chandeliers*

pg 20



Geometria 157 small

BR\_L157s



Geometria 157 medium

BR\_L157m



Geometria 157 large

BR\_L157l



# Chandeliers

pg 21



Geometria 160

BR\_L160 s/m/l



Geometrie 161

BR\_L161



Geometrie 166

BR\_L166 xs/s/m/l/xl/xxl



Novecento 214

BR\_L214 s/m/l

# *Chandeliers*

pg 22



Novecento 215

BR\_L215



Novecento 216

BR\_L216 s/m



Novecento 218

BR\_L218

# *Chandeliers*

pg 23



Novecento 217

BR\_L217

# Chandeliers

pg 24



Novecento 230

BR\_L230 s/m/l



Novecento 232

BR\_L232



Novecento 233

BR\_L233

# *Chandeliers*

pg 25



Novecento 240

BR\_L240



Novecento 246

BR\_L246 s/m

# *Chandeliers*

pg 26



Novecento 248

BR\_L248 s/m



Novecento 252

BR\_L252

# Chandeliers

pg 27



Novecento 250

BR\_L250



Novecento 251

BR\_L251



Novecento 253

BR\_L253 s/m/l







# *Ceiling Lights*



*Timeless*

*Gli intramontabili, per ogni ambiente*

# Ceiling Lights

pg 30



Geometria 159

BR\_PL159 s/m/l



Geometria 160

BR\_PL160



Geometria 162

BR\_PL162 s/m/l



Geometria 164

BR\_PL164 xs/s/m/l

# *Ceiling Lights*

pg 31



Novecento 207

BR\_PL207



Novecento 208

BR\_PL208

# *Ceiling Lights*

pg 32



Geometria 165

BR\_PL165



Novecento 211

BR\_PL211

# *Ceiling Lights*

pg 33



Novecento 209

BR\_PL209



Novecento 210

BR\_PL210



# *Spot Lights*



*Timeless*

*Gli intramontabili, per ogni ambiente*

# *Spot Lights*

pg 36



Urban 30

BR\_F30



Urban 31

BR\_F31 inside / outside



Urban 32

BR\_F32 inside / outside



Urban 44

BR\_F44



# *Spot Lights*

pg 37



Urban 34 glass

BR\_F34\_glass



Urban 34

BR\_F34



Urban 33

BR\_F33



Urban 35

BR\_F35

# *Spot Lights*

pg 38



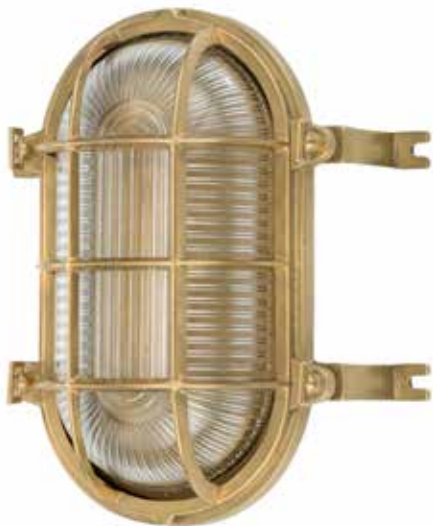
Urban 36

BR\_F36



Urban 37

BR\_F37



Urban 38

BR\_F38



Urban 39

BR\_F39

# *Spot Lights*

pg 39



Urban 40

BR\_F40



Urban 41

BR\_F41



Urban 42

BR\_F42



Urban 43

BR\_F43



# *Wall Lights*



*Timeless*

*Gli intramontabili, per ogni ambiente*

# *Appliques*

pg 42



Urban 01

BR\_A01



Urban 03

BR\_A03



Urban 02

BR\_A02



# *Appliques*

pg 43



Urban 04

BR\_A04



Urban 06

BR\_A06



Urban 05

BR\_A05

# Appliques

pg 44



Geometria 110

BR\_A110 xs / s / m / l



Geometria 163

BR\_A163



Geometria 157 M

BR\_A157m



Geometria 157 L

BR\_A157l

# *Appliques*

pg 45



Novecento 201

BR\_A201



Novecento 203

BR\_A203



Novecento 202 M

BR\_A202m



Novecento 202 S

BR\_A202s

# Appliques

pg 46



Geometria 158

BR\_A158



Novecento 205

BR\_A205



Novecento 207

BR\_A207

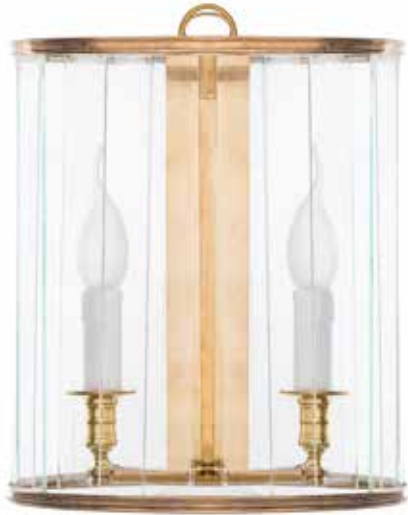


Novecento 208

BR\_A208

# *Appliques*

pg 47



Novecento 209

BR\_A209



Novecento 210

BR\_A210



Novecento 211

BR\_A211



Novecento 212

BR\_A212

# *Appliques*

pg 48



Novecento 213

BR\_A213



Novecento 214

BR\_A214



Novecento 215

BR\_A215



Novecento 216

BR\_A216



# *Appliques*

pg 49



Novecento 217

BR\_A217



Novecento 218

BR\_A218



Novecento 220

BR\_A220



Novecento 221

BR\_A221

# *Appliques*

pg 50



Novecento 219

BR\_A219



Novecento 222

BR\_A222



Novecento 223

BR\_A223



Novecento 224

BR\_A224

# *Appliques*

pg 51



Novecento 226

BR\_A226



Novecento 227

BR\_A227



Novecento 228

BR\_A228



Novecento 229

BR\_A229

# *Appliques*

pg 52



Novecento 230

BR\_A230



Novecento 231

BR\_A231



Novecento 232

BR\_A232



Novecento 234

BR\_A234

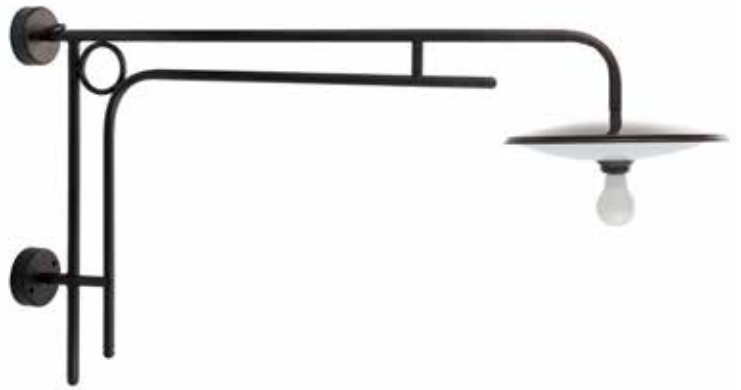
# Appliques

pg 53



Novecento 235

BR\_A235



Novecento 236

BR\_A236



Novecento 239

BR\_A239



Novecento 243

BR\_A243

# *Appliques*

pg 54



Novecento 237

BR\_A237



Novecento 238

BR\_A238



Novecento 240

BR\_A240



Novecento 241

BR\_A241



# *Appliques*

pg 55



Novecento 242

BR\_A242



Novecento 319

BR\_A319



Novecento 320

BR\_A320 / BR\_A320ferro



Novecento 321

BR\_A321

# *Appliques*

pg 56



Novecento 322

BR\_A322



Novecento 324

BR\_A324



Novecento 323 S

BR\_A323s



Novecento 323 L

BR\_A323l

# *Appliques*

pg 57



Novecento 323 Duo

BR\_A323duo



Novecento 325

BR\_A325



Novecento 326

BR\_A326



Novecento 327

BR\_A327 s / m

# Appliques

pg 58



Novecento 328

BR\_A328



Novecento 329

BR\_A329



Studio 430

BR\_A430



Studio 431

BR\_431

# *Appliques*

pg 59



Studio 432

BR\_A432



Studio 448

BR\_A448 s / m



Studio 449

BR\_A449



Studio 450

BR\_450

# *Appliques*

pg 60



Novecento 330

BR\_A330



Novecento 331

BR\_A331



Novecento 332

BR\_A332



# *Appliques*

pg 61



Novecento 333

BR\_A333

# Picture Lights

pg 62



Studio 477

BR\_LQ477 xs / s / m



Studio 478

BR\_LQ478 xs / s / m / l / xl



Studio 477 double

BR\_LQ477double s / m / l / xl

# Picture Lights

pg 63



Studio 479

BR\_LQ479 xs / s / m / l / xl



Studio 480

BR\_LQ480 xs / s / m / l / xl



Studio 482

BR\_LQ482 xs / s / m / l / xl



Studio 486

BR\_LQ486 m / l

# Picture Lights

pg 64



Studio 487

BR\_LQ487 s / m



Studio 490

BR\_LQ490 xs / s / m / l / xl



Studio 491

BR\_LQ491 xs / s / m / l / xl



Studio 492

BR\_LQ492 xs / s / m

# Picture Lights

pg 65



Studio 492 double

BR\_LQ492double s / m / l / xl



Studio 493

BR\_LQ493 xs / s / m / l / xl



Studio 494

BR\_LQ494 xs / s / m / l / xl



Studio 495

BR\_LQ495 xs / s / m / l / xl





# *Table Lamps*



*Timeless*

*Gli intramontabili, per ogni ambiente*

# *Table Lamps*

pg 68



Urban 02 Ruz

BR\_LT02



Urban 60

BR\_LT40



Urban 41

BR\_LT41

# Table Lamps

pg 69



Novecento 200

BR\_LT200



Novecento 201

BR\_LT201



Novecento 202

Novecento 202 s / m



Novecento 203

Novecento 203

# *Table Lamps*

pg 70



Novecento 208

BR\_LT208 s / m



Novecento 212

BR\_LT212 s / m



Novecento 219 S

BR\_LT219s



Novecento 219 M

BR\_LT219m

# *Table Lamps*

pg 71



Novecento 220

BR\_LT220



Novecento 252

BR\_LT252



Novecento 254

BR\_LT254



Novecento 256

BR\_LT256

# *Table Lamps*

pg 72



Novecento 258

BR\_LT258 s / m / l



Novecento 263

BR\_LT263



# *Table Lamps*

pg 73



Novecento 262

BR\_LT262



Novecento 265

BR\_LT265

# *Table Lamps*

pg 74



Novecento 266

BR\_LT266



Novecento 267

BR\_LT267



Novecento 268

BR\_LT268

# *Table Lamps*

pg 75



Novecento 269

BR\_LT269



Novecento 270

BR\_LT270



Geometria 106

BR\_LT106 s / m



Geometria 107

BR\_LT107

# *Table Lamps*

pg 76



Novecento 271

BR\_LT271



Novecento 272

BR\_LT272



Novecento 273

BR\_LT273

# *Table Lamps*

pg 77



Novecento 274

BR\_LT274



Novecento 276

BR\_LT276



Novecento 277

BR\_LT277

# *Table Lamps*

pg 78



Novecento 278

BR\_LT278



Studio 416

BR\_LT416



# *Table Lamps*

pg 79



Studio 417

BR\_LT417



Studio 418

BR\_LT418



# *Floor Lamps*



*Timeless*

*Gli intramontabili, per ogni ambiente*

# *Floor Lamps*

pg 82



Urban 01 Ruz

BR\_P01



Novecento 230

BR\_P230



Studio 401

BR\_P401

# *Floor Lamps*

pg 83



Studio 402

BR\_P402



Studio 403

BR\_P403



Studio 404

BR\_P431

# *Floor Lamps*

pg 84



Studio 405

BR\_P405



Studio 415

BR\_P415



Studio 416

BR\_P416



# *Floor Lamps*

pg 85



Studio 417

BR\_P417



Studio 418

BR\_P418

# *Floor Lamps*

pg 86



Studio 430

BR\_P430



Studio 431

BR\_P431

# *Floor Lamps*

pg 87



Studio 422

BR\_P422



Studio 429

BR\_P429



# *Consolles & Tables*



*Timeless*

*Gli intramontabili, per ogni ambiente*

# *Tables & Consoles*

pg 90



Urban 01 star

BR\_T01



Urban 02 star

BR\_T02

# *Tables & Consoles*

pg 91



Urban 03 medium umbrella

BR\_T03m



Urban 03 small umbrella

BR\_T03s



Urban 90

BR\_T90

# *Tables & Consoles*

pg 92



Urban 04

BR\_T04



Urban 05

BR\_T05



# *Tables & Consoles*

pg 93



Urban 06

BR\_T06



Novecento 250

BR\_T250

# *Tables & Consolles*

pg 94



Novecento 251

BR\_T251



Novecento 252

BR\_T252



Novecento 260

BR\_T260

# *Tables & Consolles*

pg 95



Novecento 261

BR\_T261



Novecento 262

BR\_T262



Novecento 271

BR\_T271

# *Tables & Consoles*

pg 96



Novecento 290

BR\_T290

Novecento 292

BR\_T292



Novecento 291

BR\_T291

# *Tables & Consolles*

pg 97



Novecento 293 large

BR\_ T293l



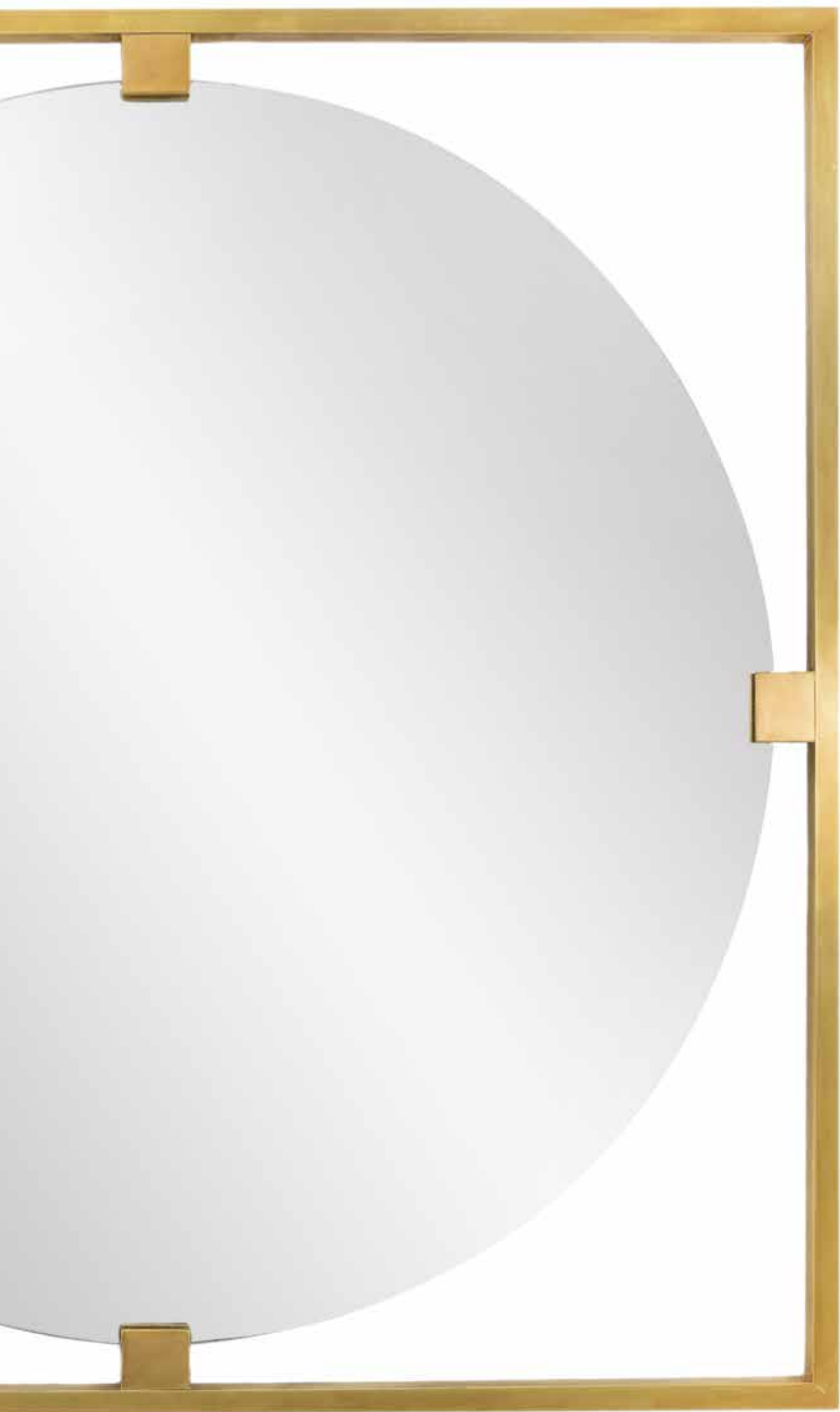
Novecento 293 small

BR\_ T293s



Novecento 294

BR\_ T294



*Various*

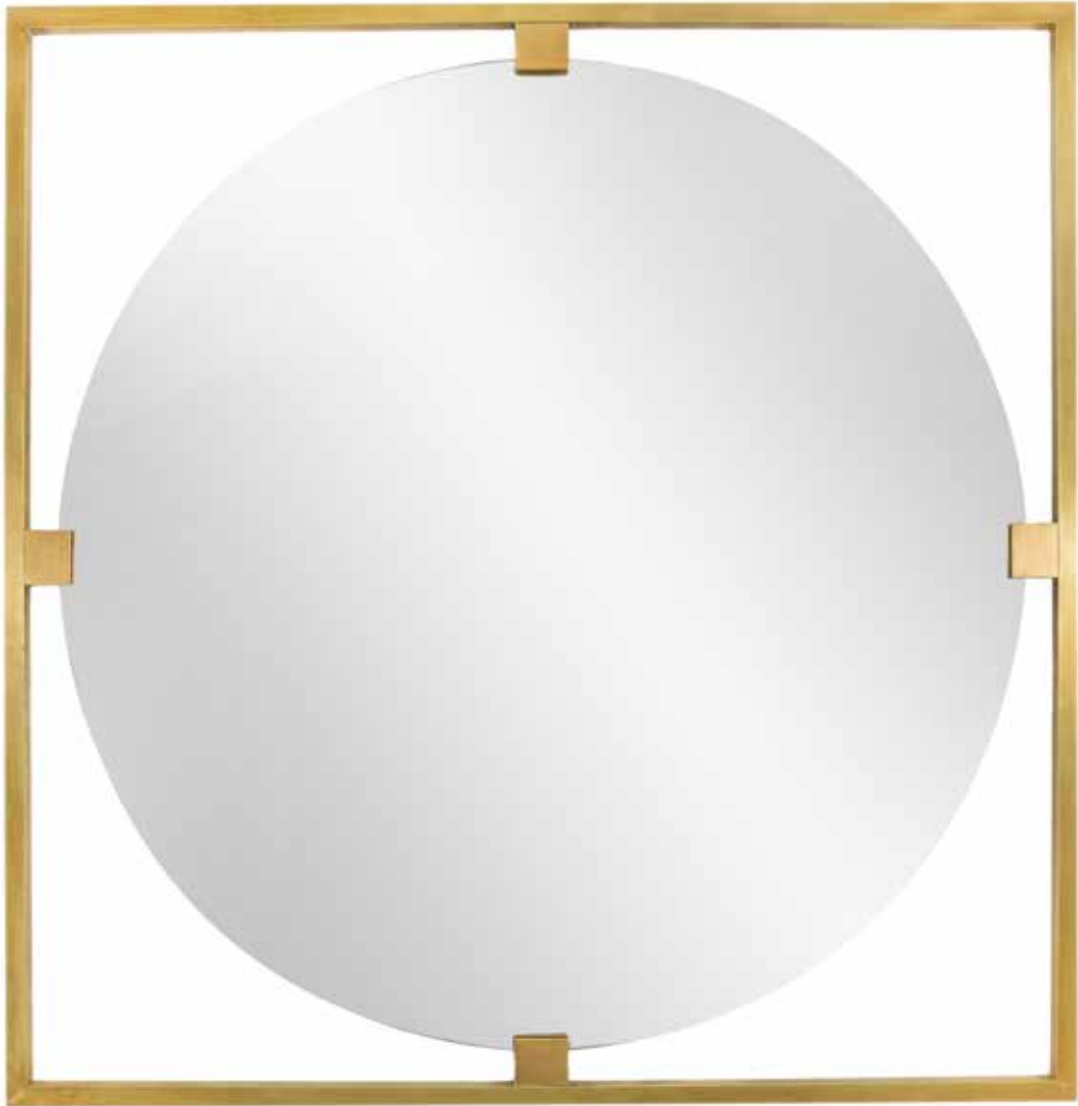


*Timeless*

*Gli intramontabili, per ogni ambiente*

# *Mirrors*

pg 100



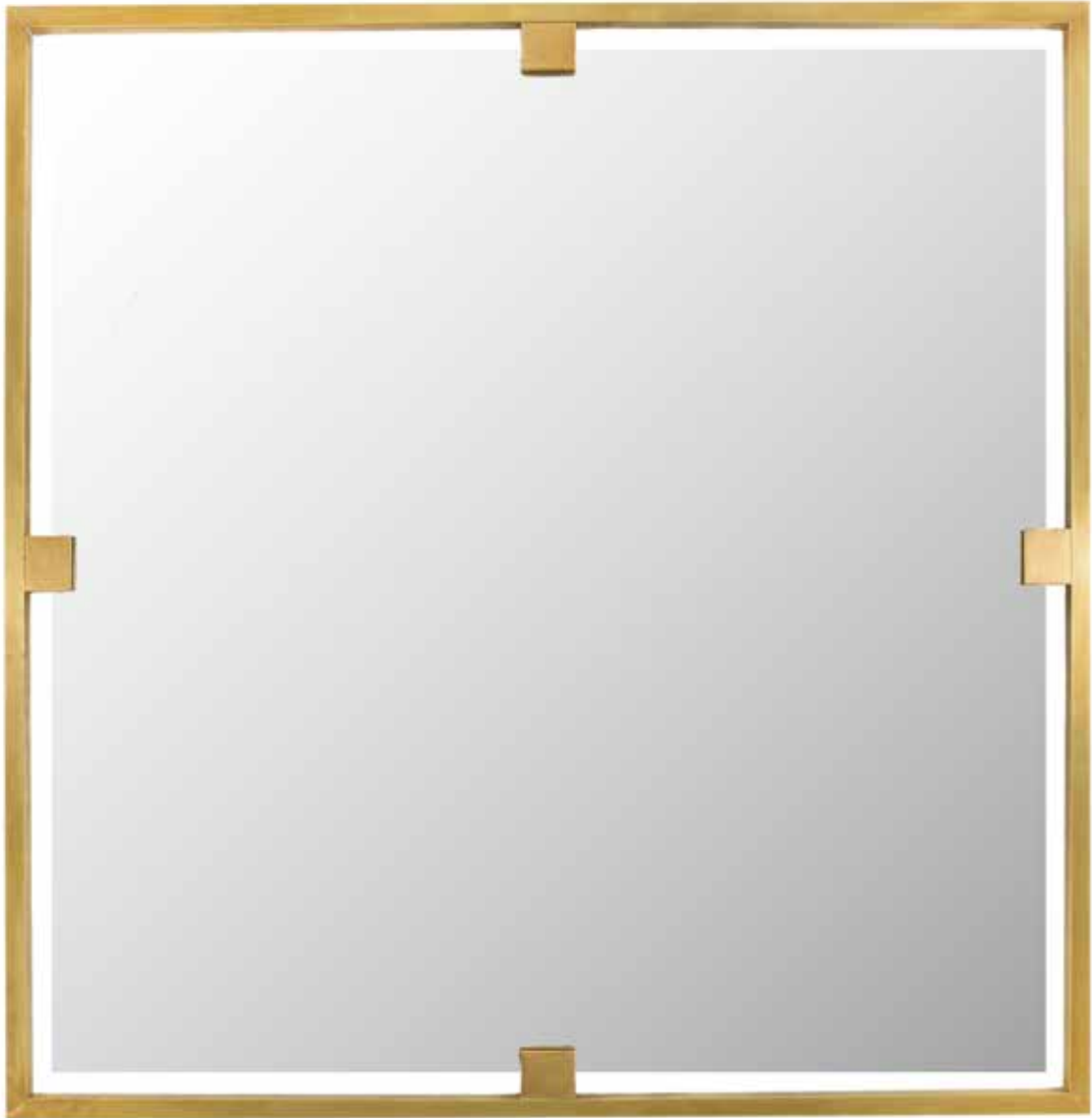
Urban 50

BR\_M50



# *Mirrors*

pg 101



Urban 51

BR\_M51

# *Mirrors*

pg 102



Urban 53

BR\_M53



Urban 54

BR\_M54

# *Mirrors*

pg 103



Urban 52

BR\_M52

# *Mirrors*

pg 104

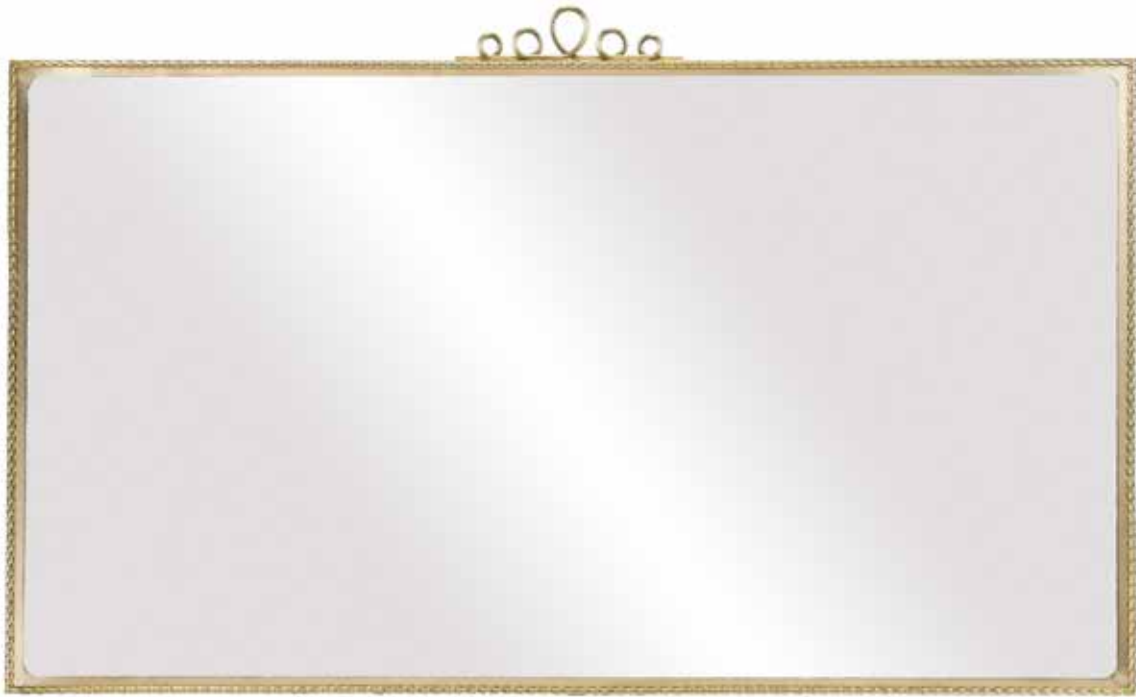


Urban 55

BR\_M55

# *Mirrors*

pg 105



Urban 56

BR\_M56

# *Bookshelves*

pg 106



Urban 01 book

BR\_LIB01



Urban 02 book

BR\_LIB02

# *Stools*

pg 107



Novecento 300

BR\_ST300



Novecento 301

BR\_ST301





# *Technical Designs*



*Timeless*

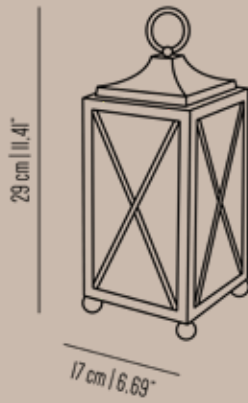
*Gli intramontabili, per ogni ambiente*

# Lanterns

pg 110

URBAN 01 HOF SMALL

(pg. 10)



URBAN 01 HOF MEDIUM

(pg. 10)



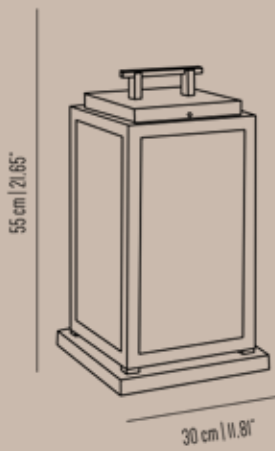
URBAN 01 HOF LARGE

(pg. 10)



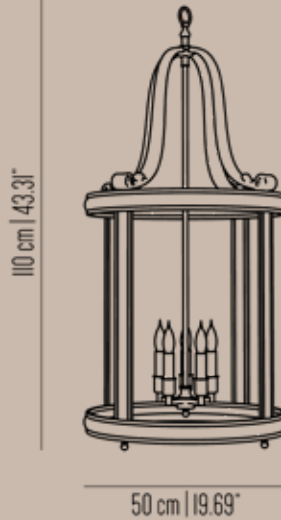
URBAN 02 HOF

(pg. 10)



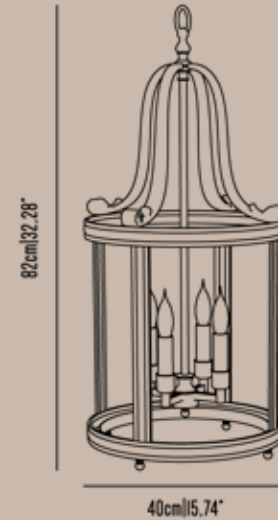
NOVECENTO 314 EXTRA LARGE

(pg. 11)



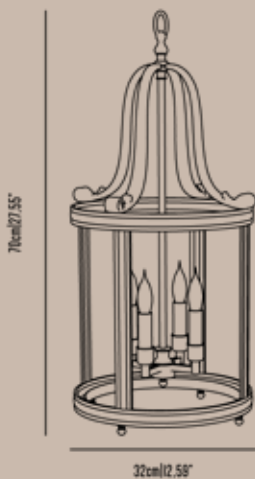
NOVECENTO 314 LARGE

(pg. 11)



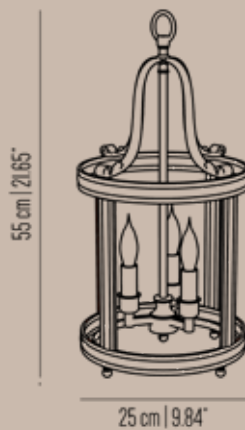
NOVECENTO 314 MEDIUM

(pg. 11)



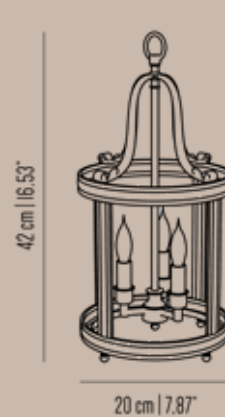
NOVECENTO 314 SMALL

(pg. 11)



NOVECENTO 314 EXTRA SMALL

(pg. 11)

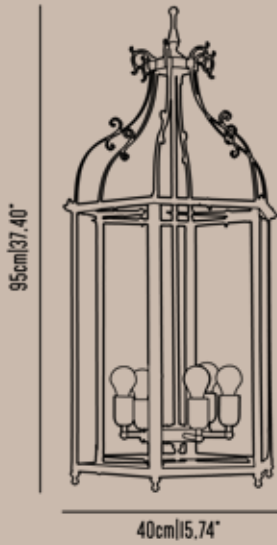


# Lanterns

pg 111

NOVECENTO 315 LARGE

(pg. 11)



NOVECENTO 315 MEDIUM

(pg. 11)



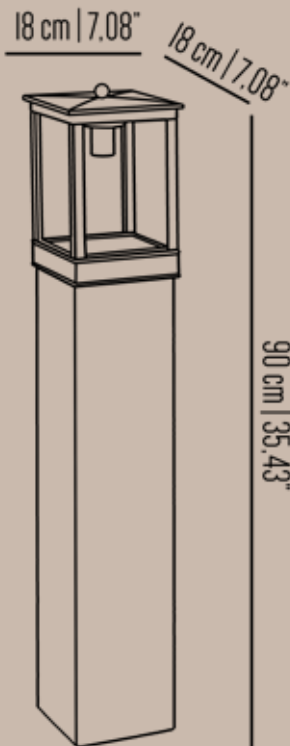
NOVECENTO 315 SMALL

(pg. 11)



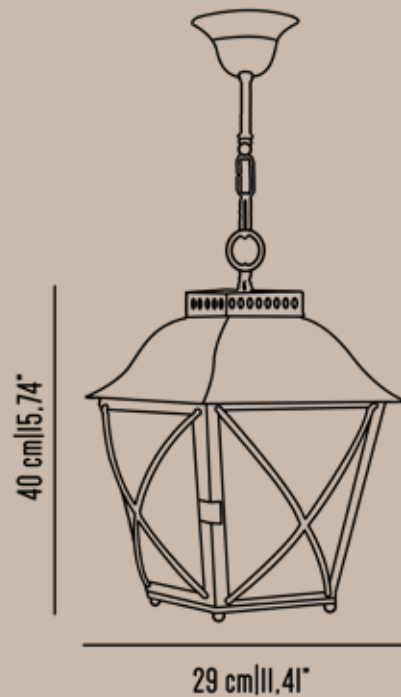
URBAN 03 HOF

(pg. 10)



NOVECENTO 320

(pg. 12)

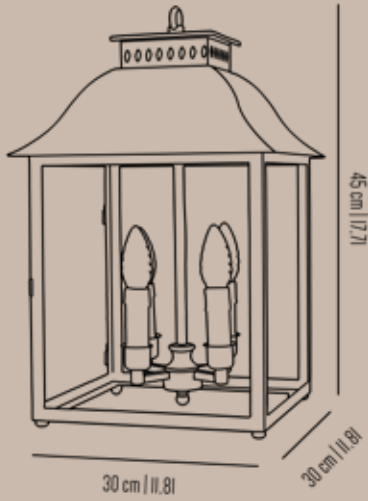


# Lanterns

pg 112

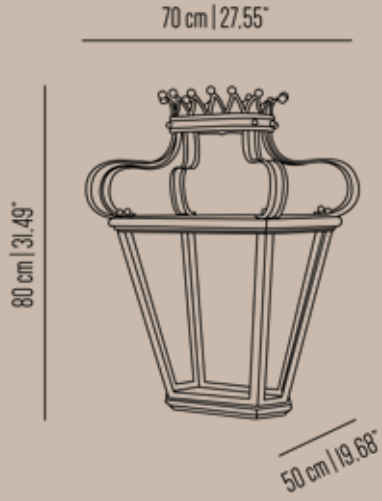
## NOVECENTO 321

(pg. 12)



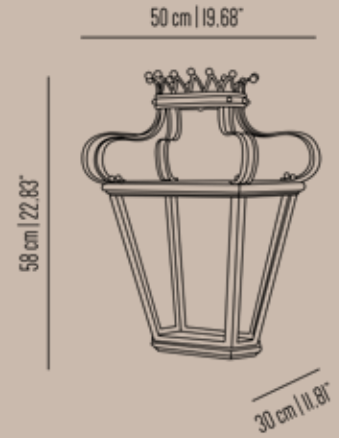
## NOVECENTO 341 LARGE

(pg. 13)



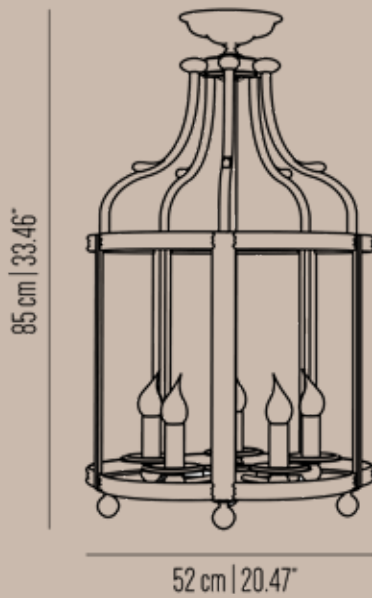
## NOVECENTO 341 MEDIUM

(pg. 13)



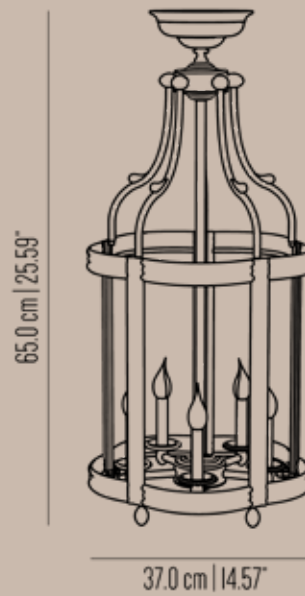
## NOVECENTO 340 LARGE

(pg. 13)



## NOVECENTO 340 MEDIUM

(pg. 13)



## NOVECENTO 340 SMALL

(pg. 13)

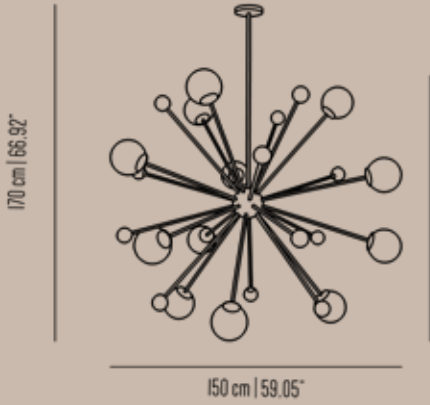


# Chandeliers

pg 113

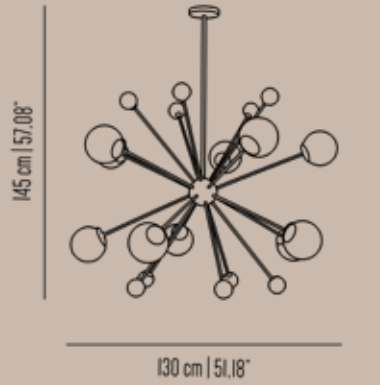
URBAN 01 SPUTNIK LARGE

(pg. 16)



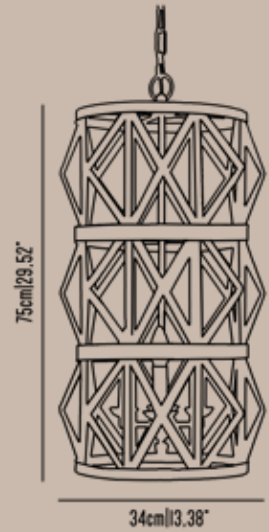
URBAN 01 SPUTNIK MEDIUM

(pg. 16)



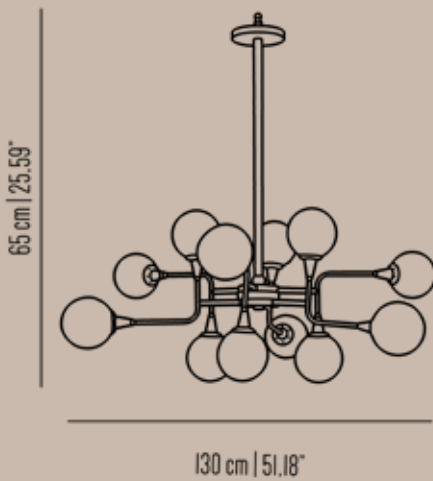
GEOMETRIA 157 LARGE

(pg. 18)



URBAN 02 COSMO

(pg. 16)



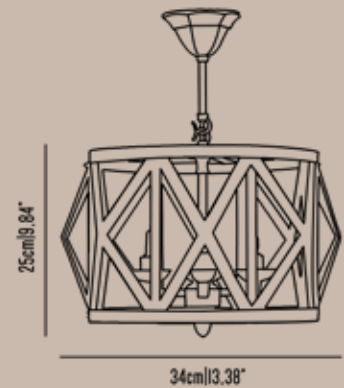
GEOMETRIA 157 MEDIUM

(pg. 18)



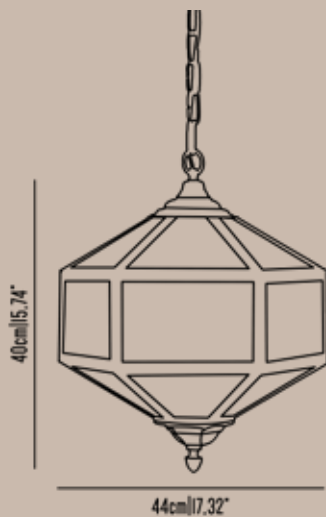
GEOMETRIA 157 SMALL

(pg. 18)



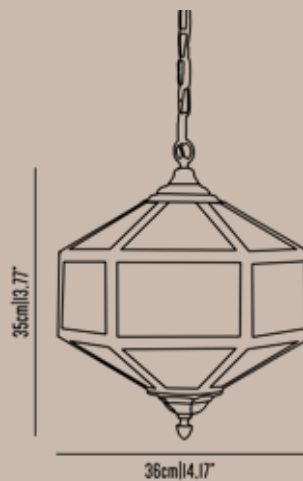
GEOMETRIA 160 LARGE

(pg. 19)



GEOMETRIA 160 MEDIUM

(pg. 19)



GEOMETRIA 160 SMALL

(pg. 19)



# Chandeliers

pg 114

GEOMETRIA 166 EXTRA SMALL

(pg. 19)



GEOMETRIA 166 SMALL

(pg. 19)



GEOMETRIA 166 MEDIUM

(pg. 19)



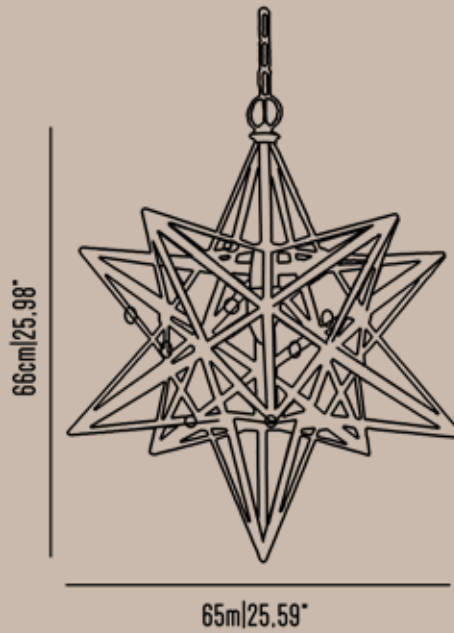
GEOMETRIA 166 LARGE

(pg. 19)



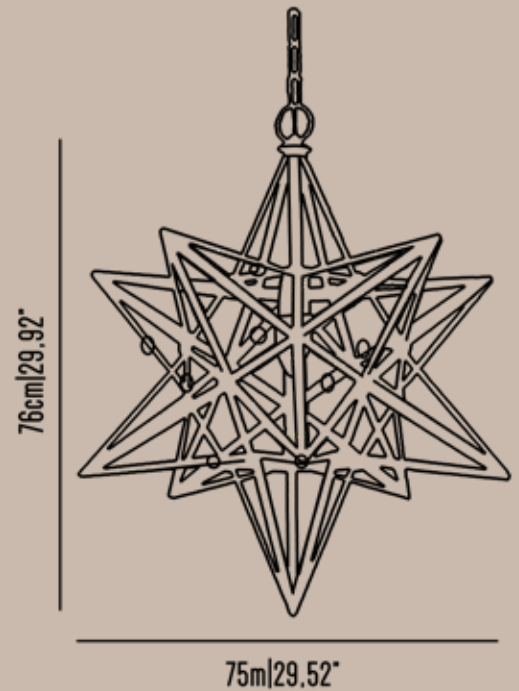
GEOMETRIA 166 EXTRA LARGE

(pg. 19)



GEOMETRIA 166 EXTRA EXTRA LARGE

(pg. 19)

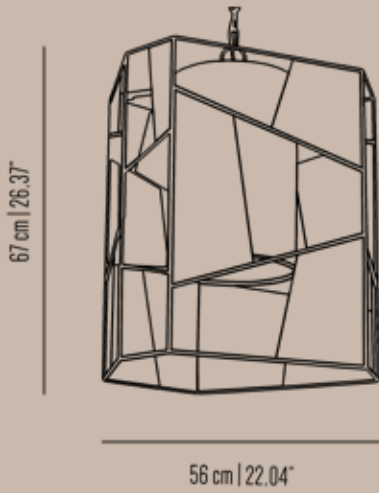


# Chandeliers

pg 115

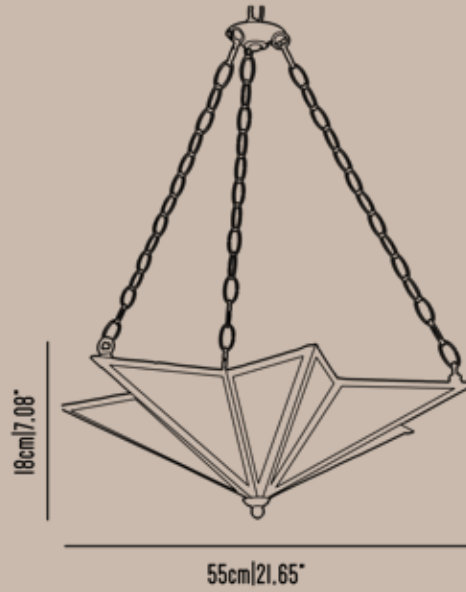
URBAN 20

(pg. 17)



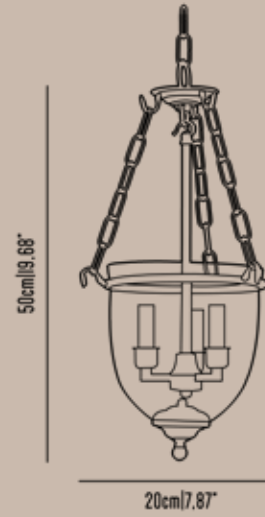
GEOMETRIA 161

(pg. 19)



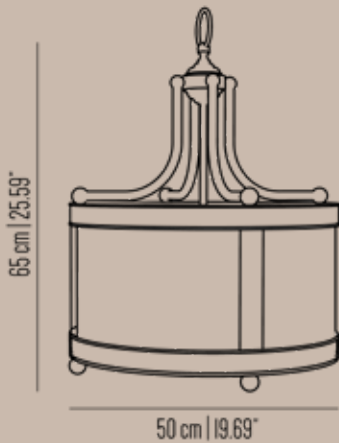
NOVECENTO 215

(pg. 20)



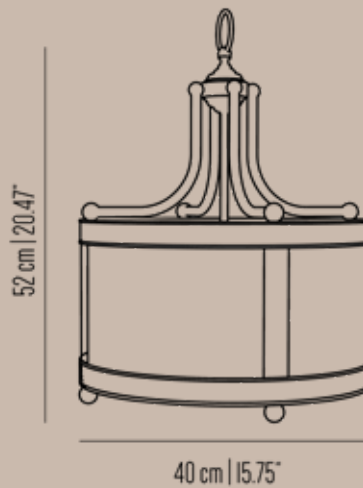
NOVECENTO 214 SMALL

(pg. 19)



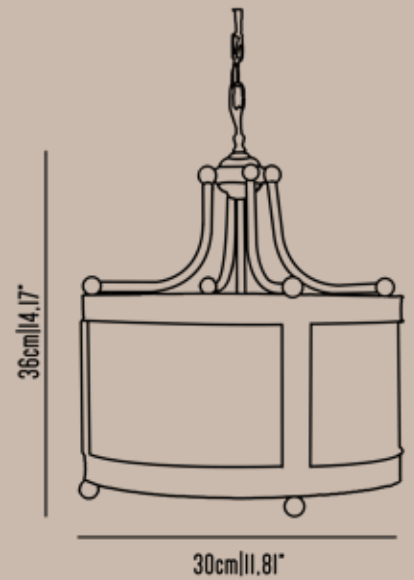
NOVECENTO 214 MEDIUM

(pg. 19)



NOVECENTO 214 LARGE

(pg. 19)





# Chandeliers

pg 116

NOVECENTO 216 SMALL

(pg. 20)



NOVECENTO 216 MEDIUM

(pg. 20)

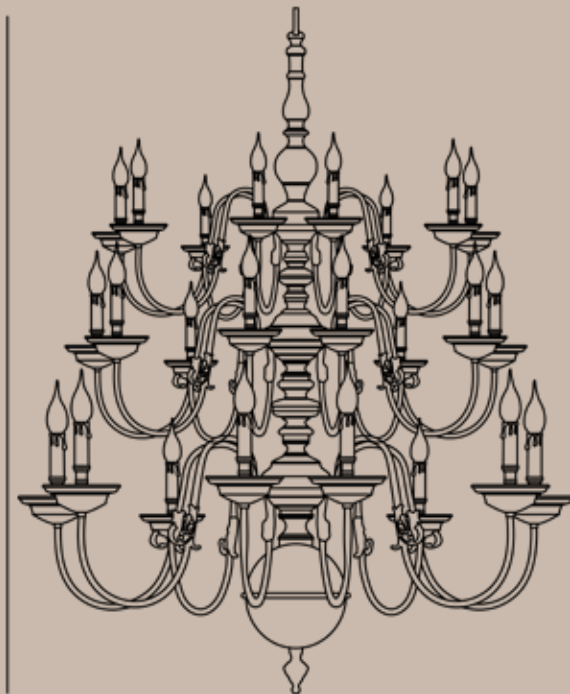


63cm|24.80"

67cm|26.37"

NOVECENTO 217

(pg. 21)



110cm|43.30"

135cm|53.14"

NOVECENTO 218

(pg. 20)

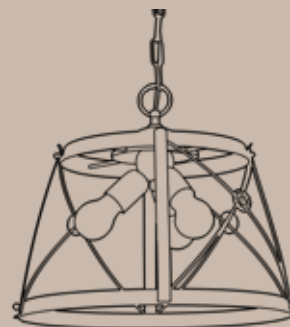


53cm|20.86"

76cm|29.92"

NOVECENTO 240

(pg. 23)



30cm|11.81"

43cm|16.92"

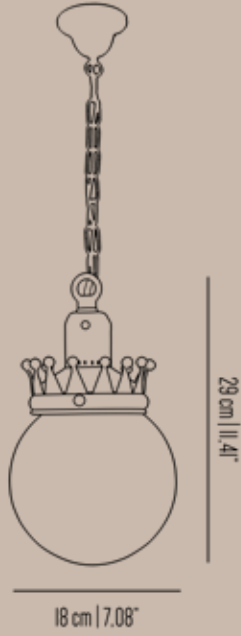


# Chandeliers

pg 117

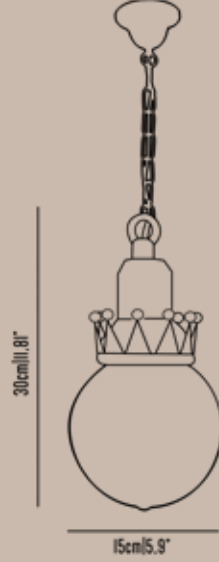
NOVECENTO 230 LARGE

(pg. 22)



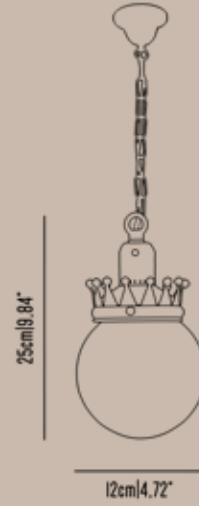
NOVECENTO 230 MEDIUM

(pg. 22)



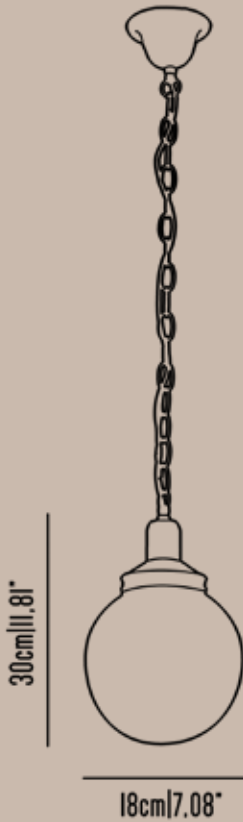
NOVECENTO 230 SMALL

(pg. 22)



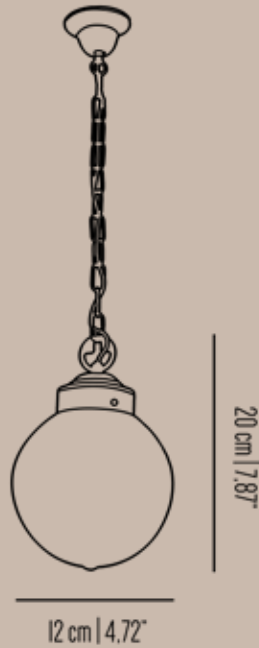
NOVECENTO 232

(pg. 22)



NOVECENTO 233

(pg. 22)



URBAN 21

(pg. 17)

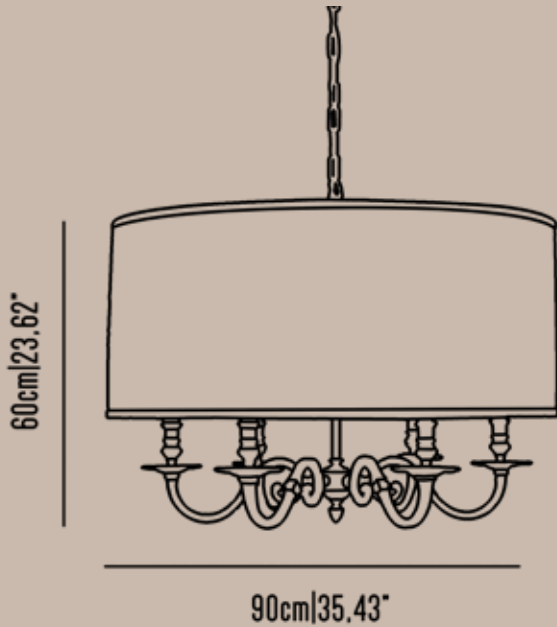


# Chandeliers

pg 118

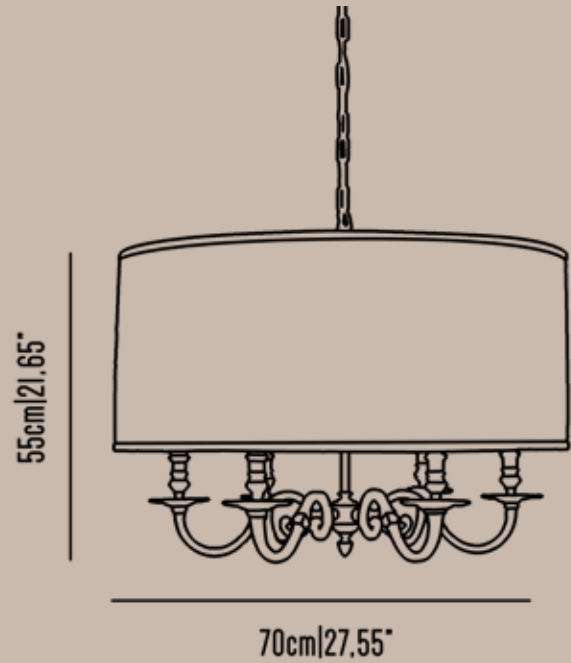
NOVECENTO 248 MEDIUM

(pg. 24)



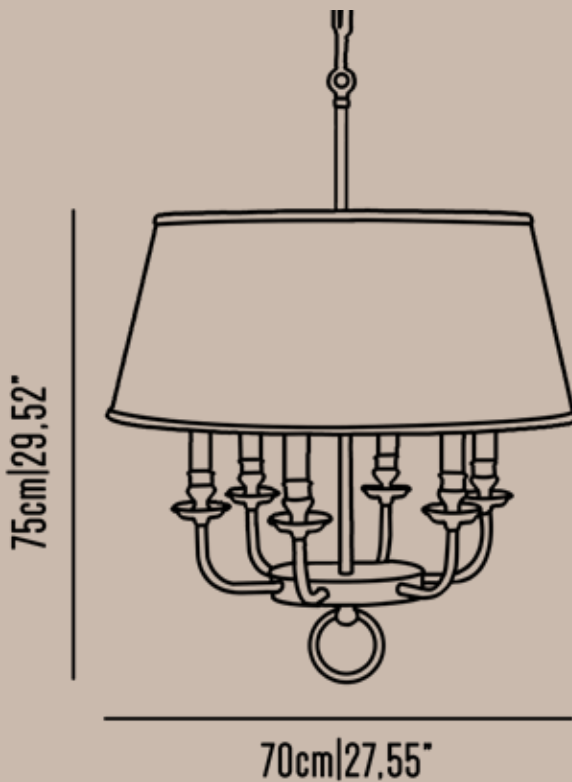
NOVECENTO 248 SMALL

(pg. 24)



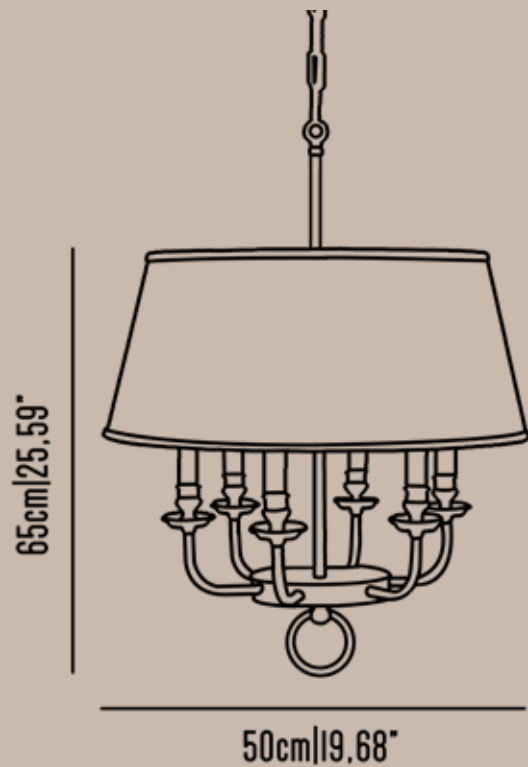
NOVECENTO 246 MEDIUM

(pg. 23)



NOVECENTO 246 SMALL

(pg. 23)



# Chandeliers

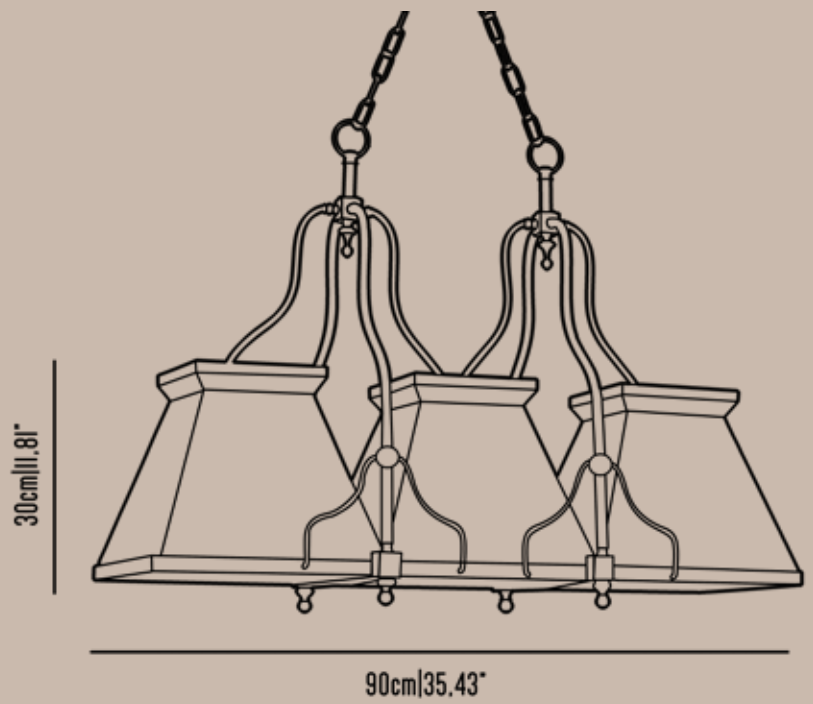
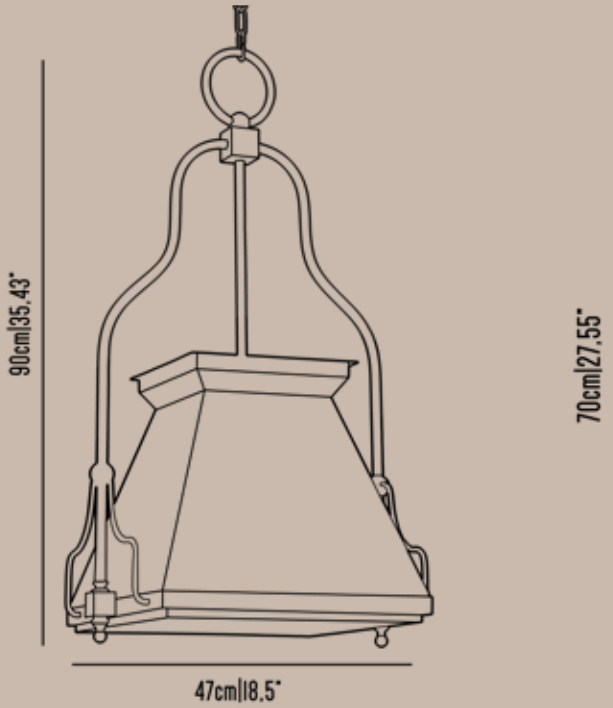
pg 119

NOVECENTO 250

(pg. 25)

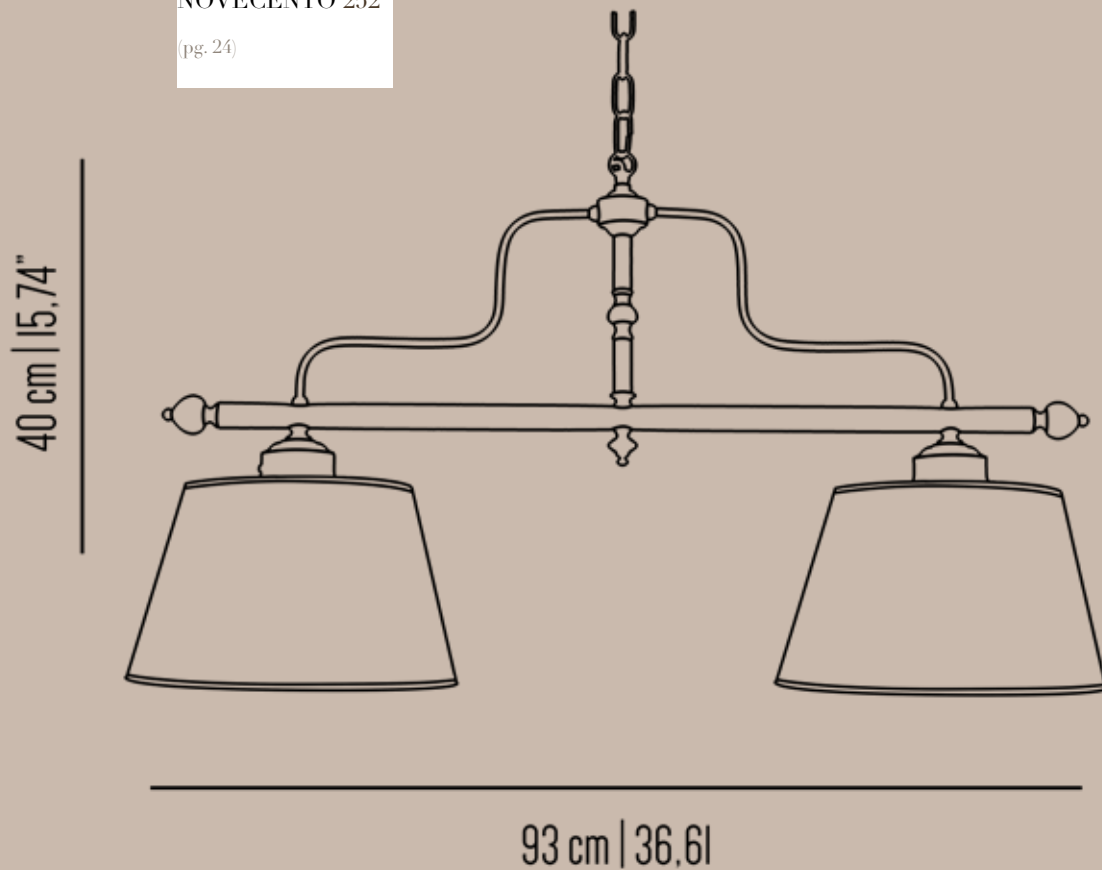
NOVECENTO 251

(pg. 25)



NOVECENTO 252

(pg. 24)

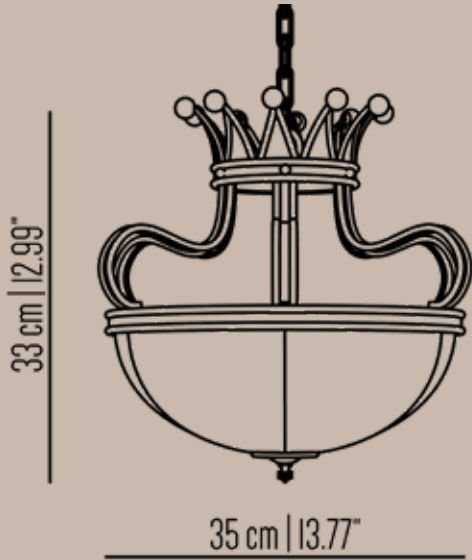


# Chandeliers

pg 120

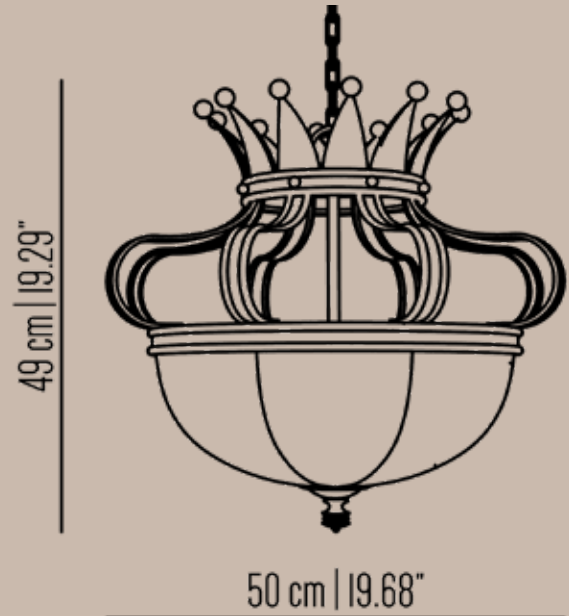
NOVECENTO 253 SMALL

(pg. 25)



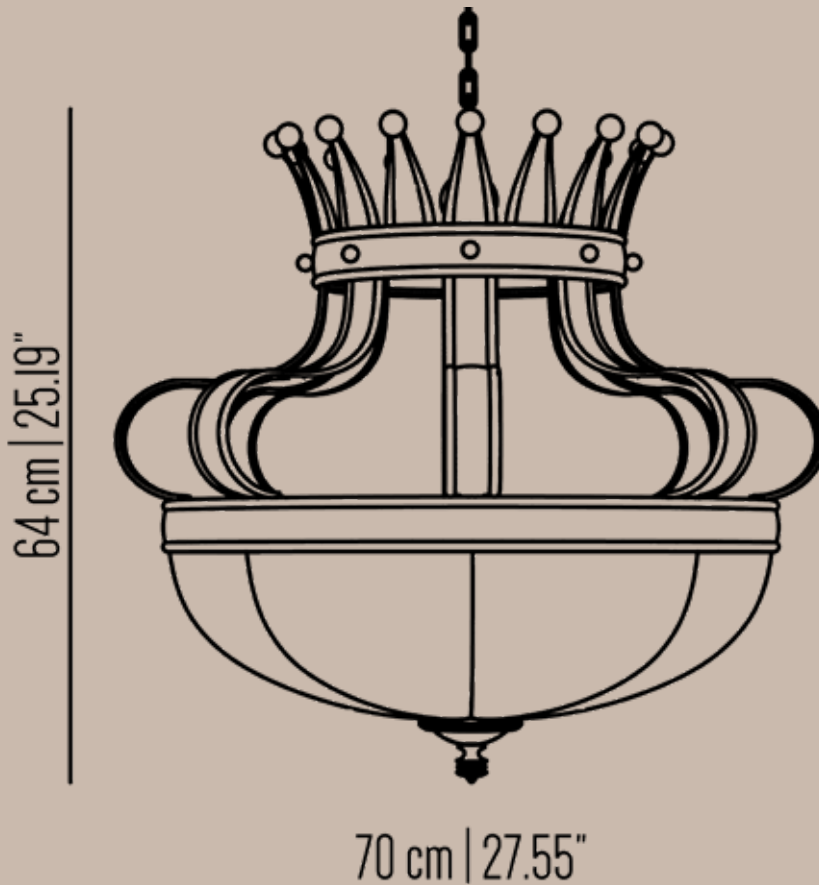
NOVECENTO 253 MEDIUM

(pg. 25)



NOVECENTO 253 LARGE

(pg. 25)



# Ceiling Lights

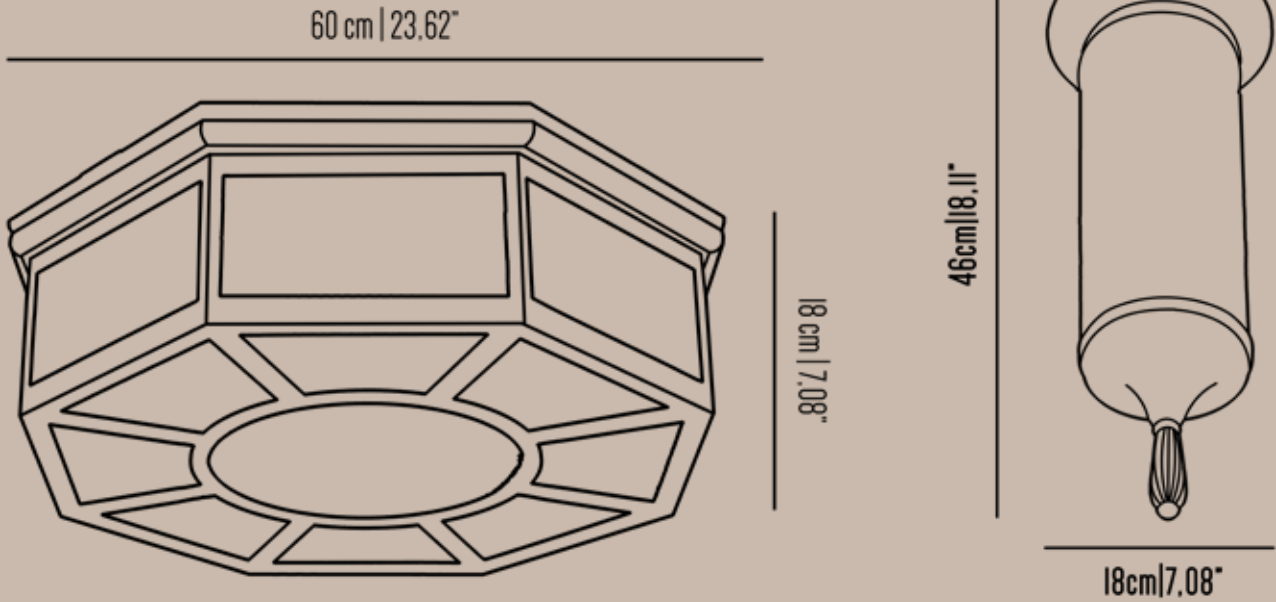
pg 121

GEOMETRIA 165

(pg. 30)

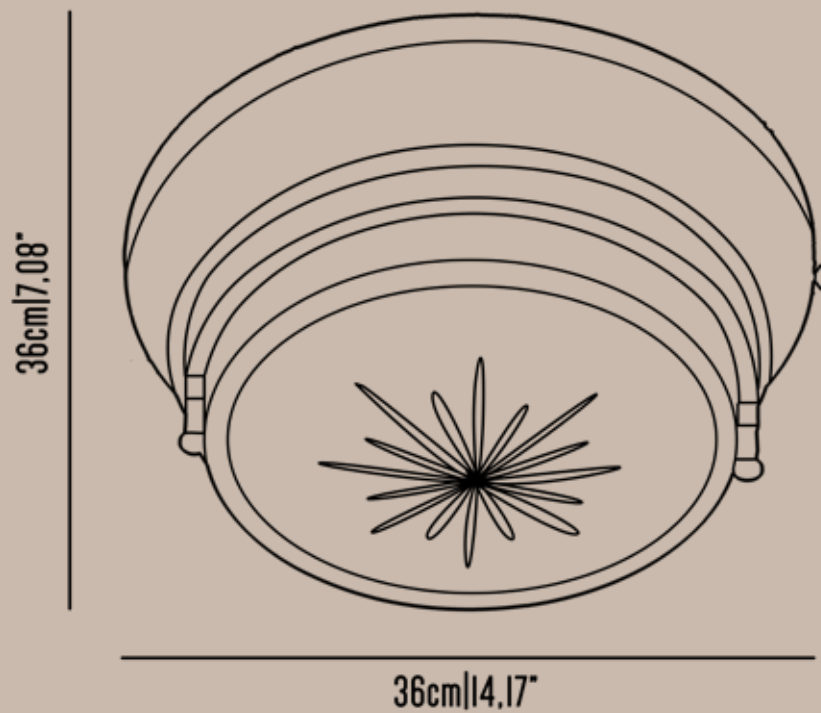
NOVECENTO 207

(pg. 29)



NOVECENTO 208

(pg. 29)

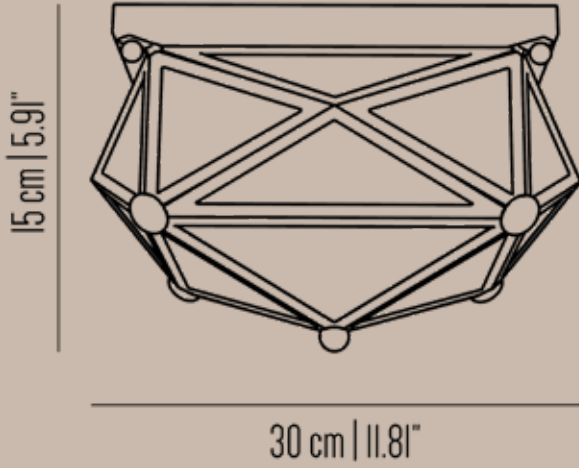


# Ceiling Lights

pg 122

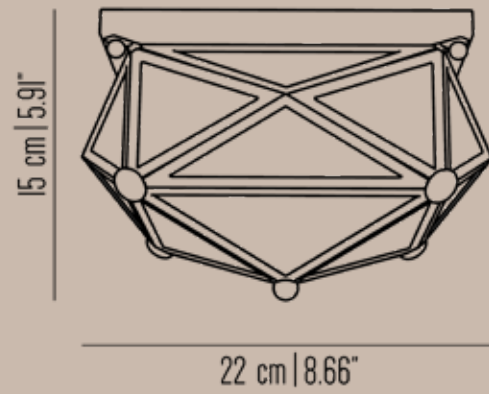
GEOMETRIA 159 LARGE

(pg. 28)



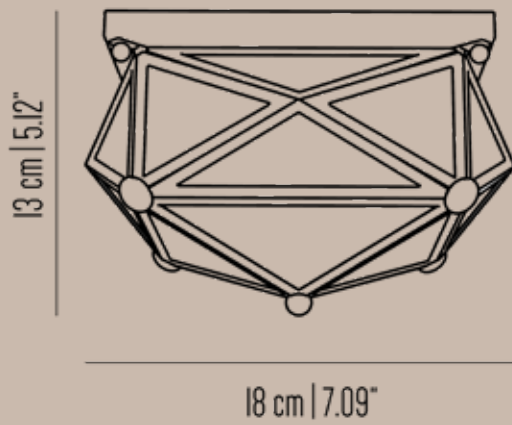
GEOMETRIA 159 MEDIUM

(pg. 28)



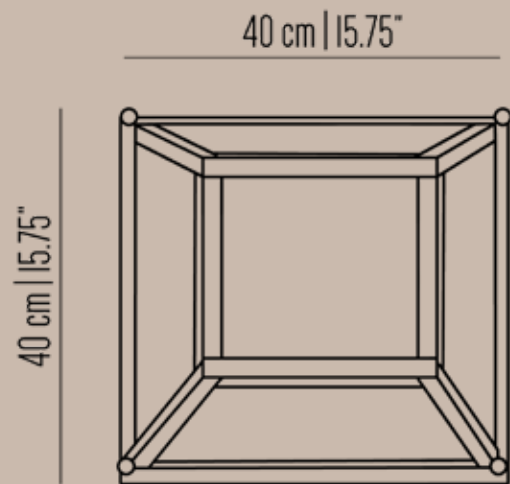
GEOMETRIA 159 SMALL

(pg. 28)



GEOMETRIA 162 LARGE

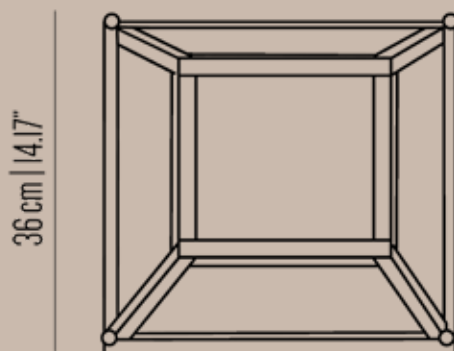
(pg. 28)



GEOMETRIA 162 MEDIUM

(pg. 28)

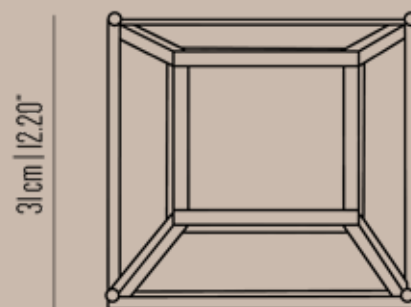
36 cm | 14.17"



GEOMETRIA 162 SMALL

(pg. 28)

31 cm | 12.20"



# Ceiling Lights

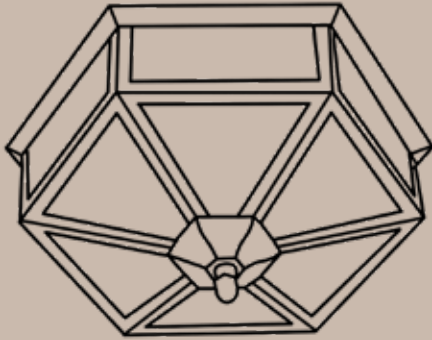
pg 123

GEOMETRIA 164 LARGE

(pg. 28)

40 cm | 15.75"

20 cm | 7.87"

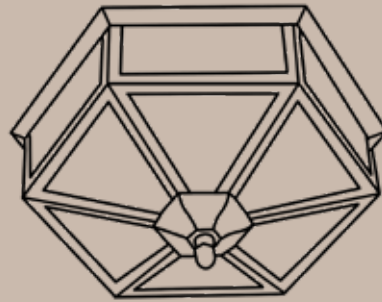


GEOMETRIA 164 MEDIUM

(pg. 28)

36 cm | 14.17"

20 cm | 7.87"

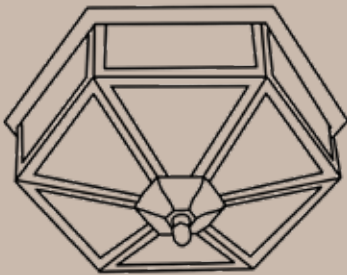


GEOMETRIA 164 SMALL

(pg. 28)

32 cm | 12.60"

20 cm | 7.87"

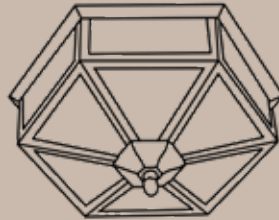


GEOMETRIA 164 EXTRA SMALL

(pg. 28)

26 cm | 10.24"

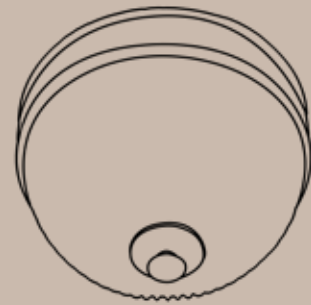
20 cm | 7.87"



NOVECENTO 211

(pg. 30)

20 cm | 7.87"



15 cm | 5.90"

NOVECENTO 209

(pg. 30)

16 cm | 6.29"

12 cm | 4.72"

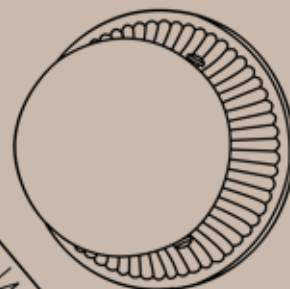


NOVECENTO 210

(pg. 30)

16 cm | 6.29"

12 cm | 4.72"

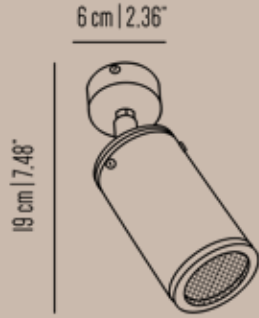


# Spot Lights

pg 124

URBAN 30

(pg. 34)



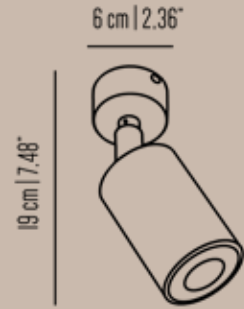
URBAN 31

(pg. 34)



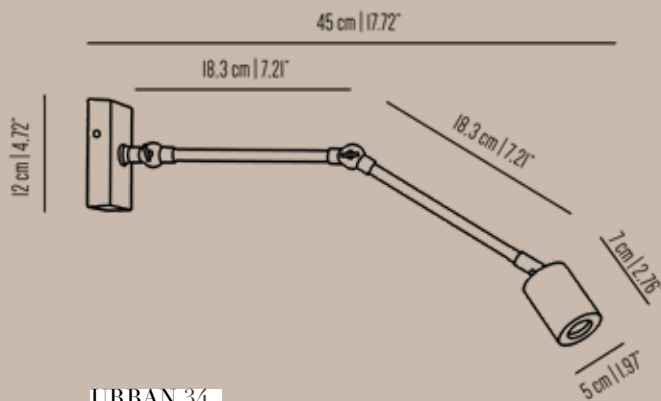
URBAN 32

(pg. 34)



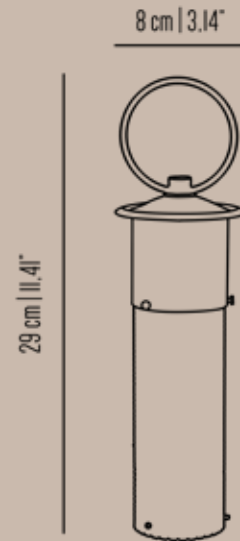
URBAN 33

(pg. 35)



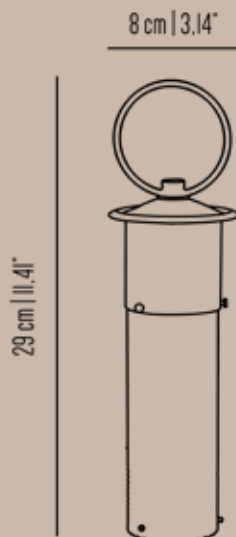
URBAN 34 GLASS

(pg. 35)



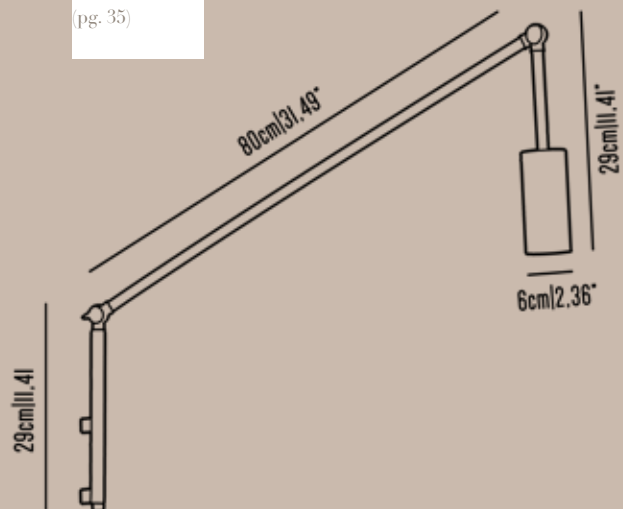
URBAN 34

(pg. 35)



URBAN 35

(pg. 35)



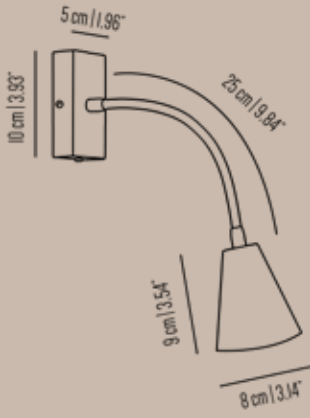


# Spot Lights

pg 125

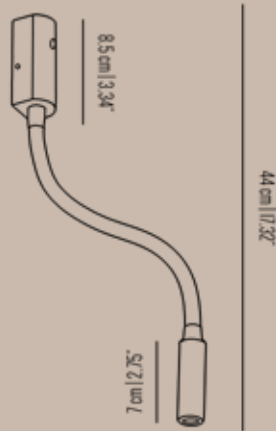
## URBAN 36

(pg. 36)



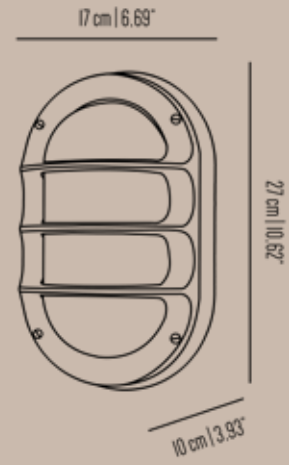
## URBAN 37

(pg. 36)



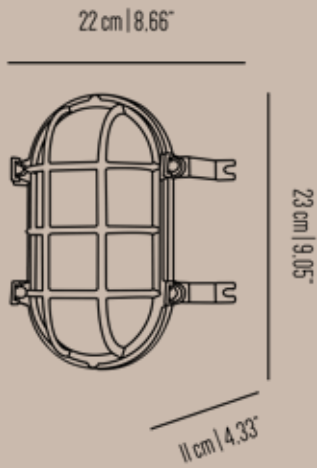
## URBAN 40

(pg. 37)



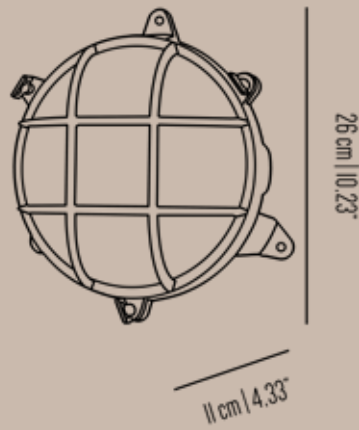
## URBAN 38

(pg. 36)



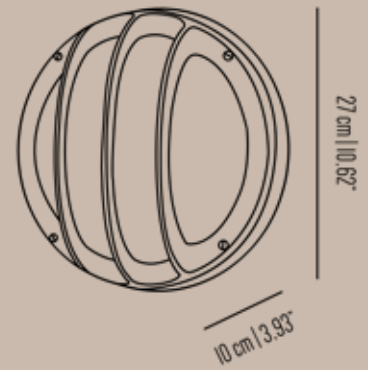
## URBAN 39

(pg. 36)



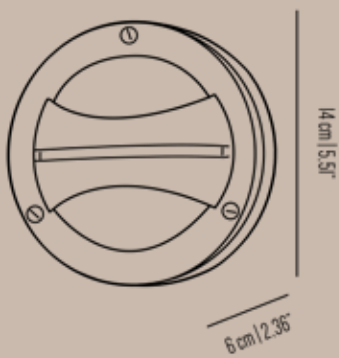
## URBAN 41

(pg. 37)



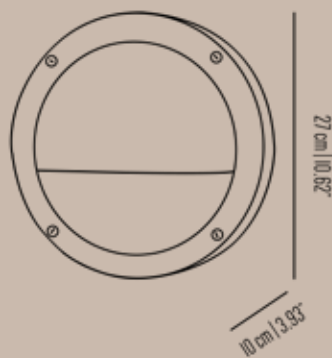
## URBAN 42

(pg. 37)



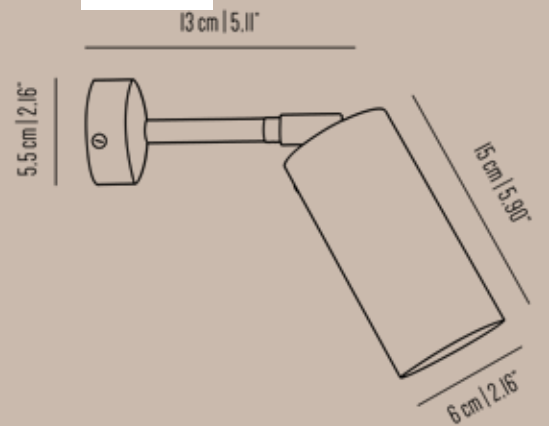
## URBAN 43

(pg. 37)



## URBAN 44

(pg. 34)

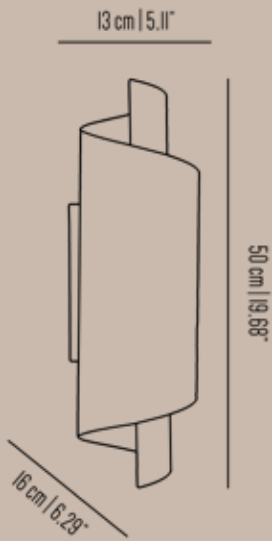


# Appliques

pg 126

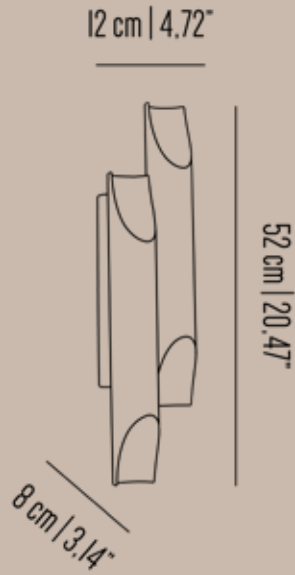
URBAN 01

(pg. 40)



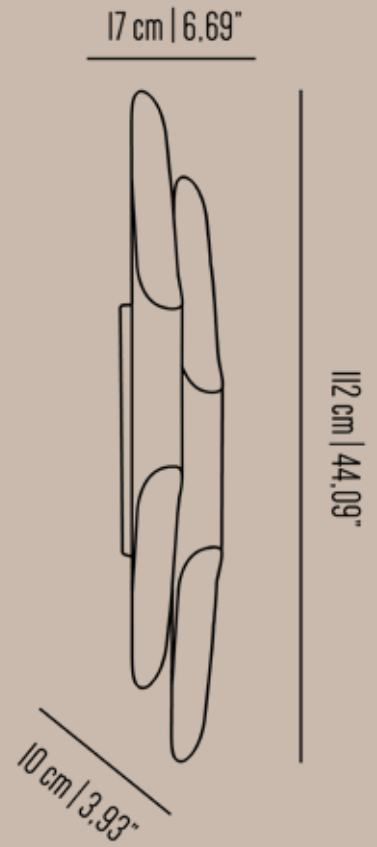
URBAN 03

(pg. 40)



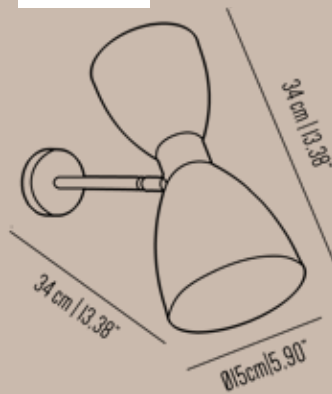
URBAN 02

(pg. 40)



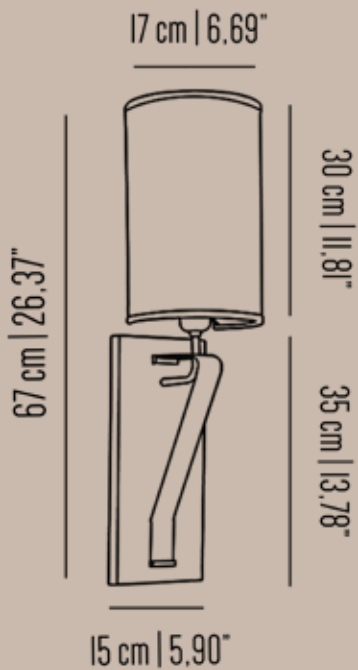
URBAN 04

(pg. 41)



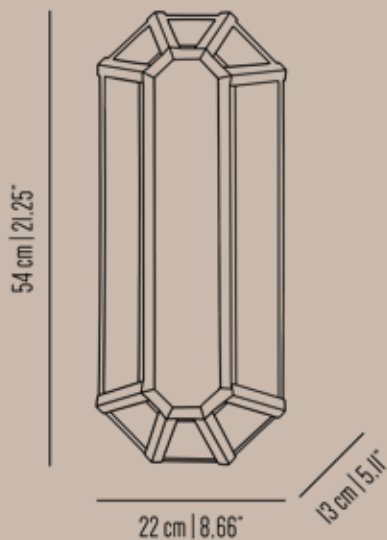
URBAN 05

(pg. 41)



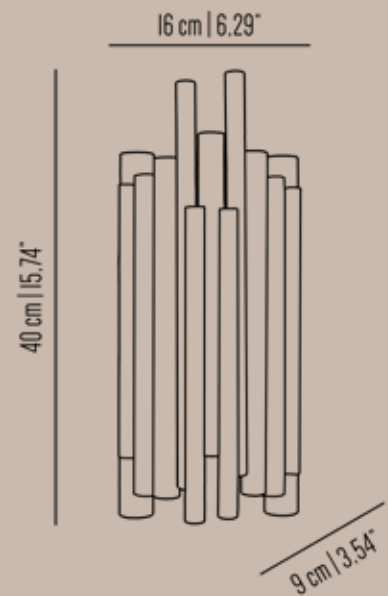
GEOMETRIA 158

(pg. 44)



URBAN 06

(pg. 41)

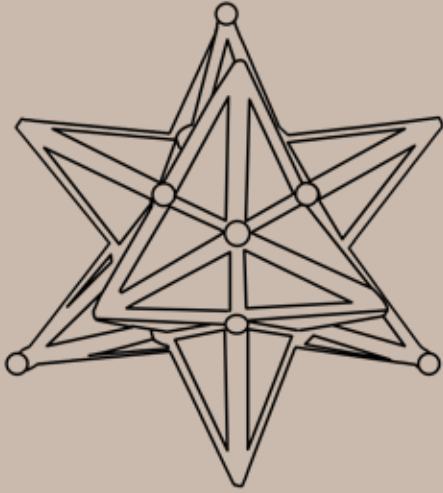


# Appliques

pg 127

GEOMETRIA 110 LARGE

(pg. 42)



55cm|21.65"

GEOMETRIA 110 MEDIUM

(pg. 42)



45cm|17.71"

GEOMETRIA 110 SMALL

(pg. 42)



40cm|15.74"

GEOMETRIA 110 EXTRA SMALL

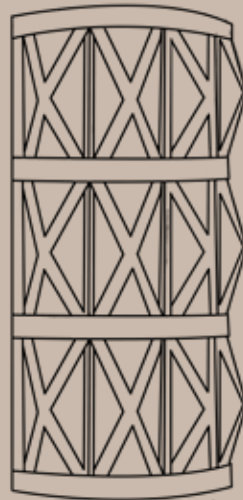
(pg. 42)



30cm|11.81"

GEOMETRIA 157 LARGE

(pg. 42)



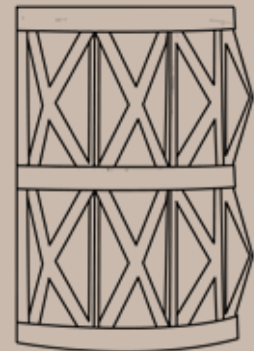
45cm|17.71"

22cm|8.66"

13cm|5.11"

GEOMETRIA 157 MEDIUM

(pg. 42)



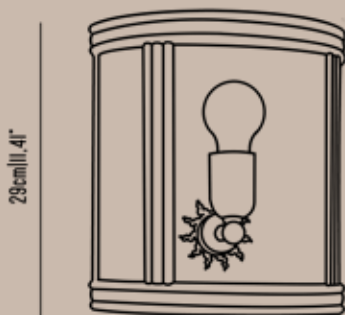
31.5cm|12.4"

22cm|8.66"

13cm|5.11"

GEOMETRIA 205

(pg. 44)



29cm|11.41"

12cm|4.72"

26cm|10.23"

GEOMETRIA 163

(pg. 42)



34 cm | 13.38"

47 cm | 18.50"

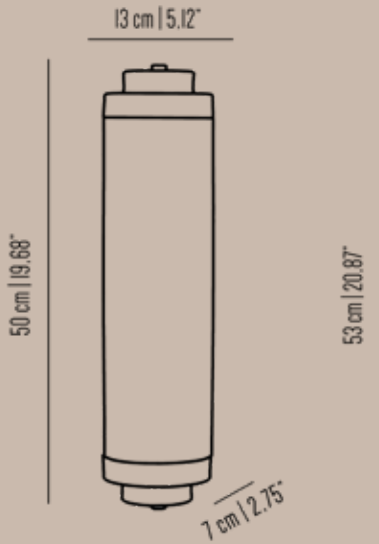
18 cm | 7.08"

# Appliques

pg 128

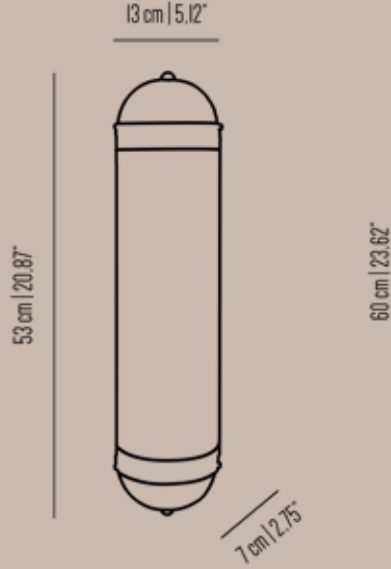
NOVECENTO 201

(pg. 43)



NOVECENTO 203

(pg. 43)



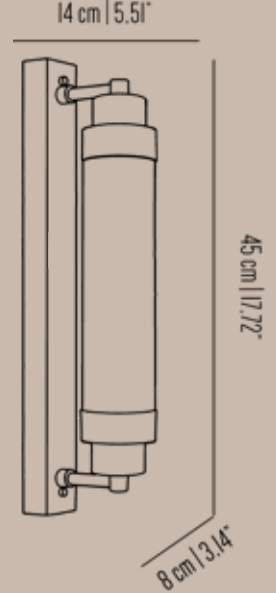
NOVECENTO 202 MEDIUM

(pg. 43)



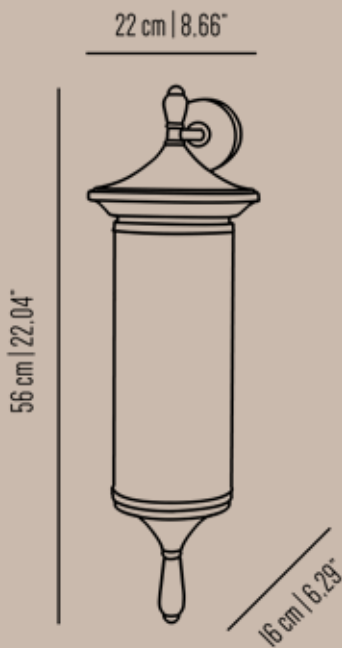
NOVECENTO 202 SMALL

(pg. 43)



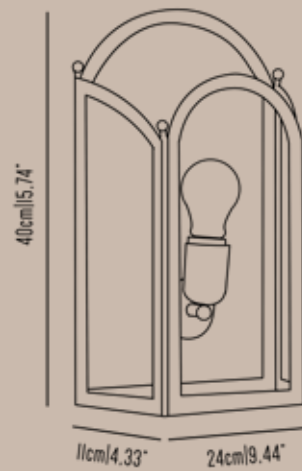
NOVECENTO 207

(pg. 44)



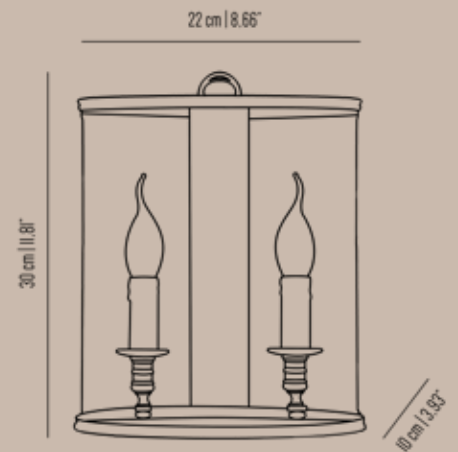
NOVECENTO 208

(pg. 44)



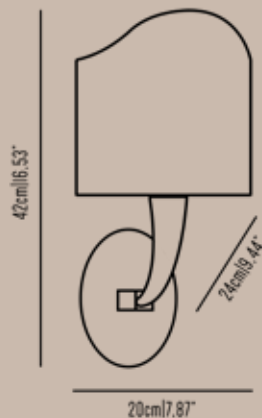
NOVECENTO 209

(pg. 45)



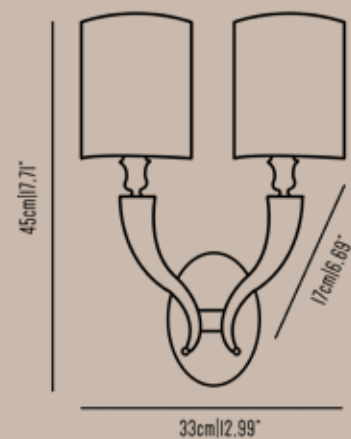
NOVECENTO 210

(pg. 45)



NOVECENTO 211

(pg. 45)

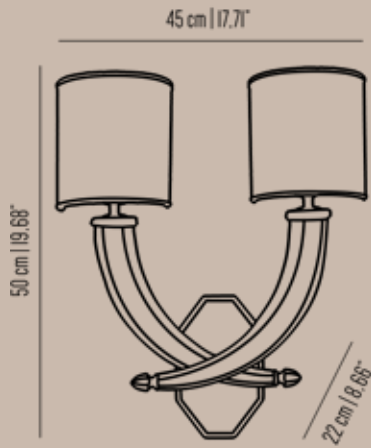


# Appliques

pg 129

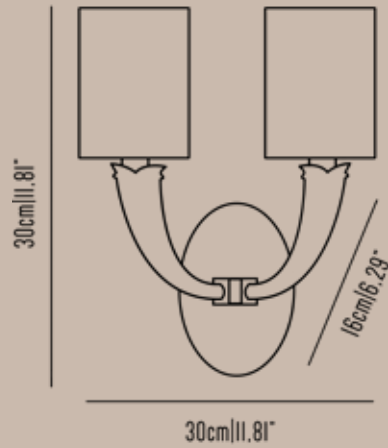
NOVECENTO 212

(pg. 45)



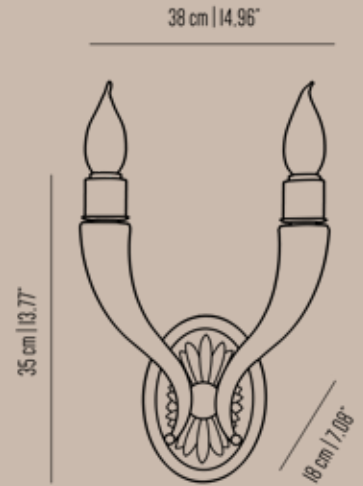
NOVECENTO 213

(pg. 46)



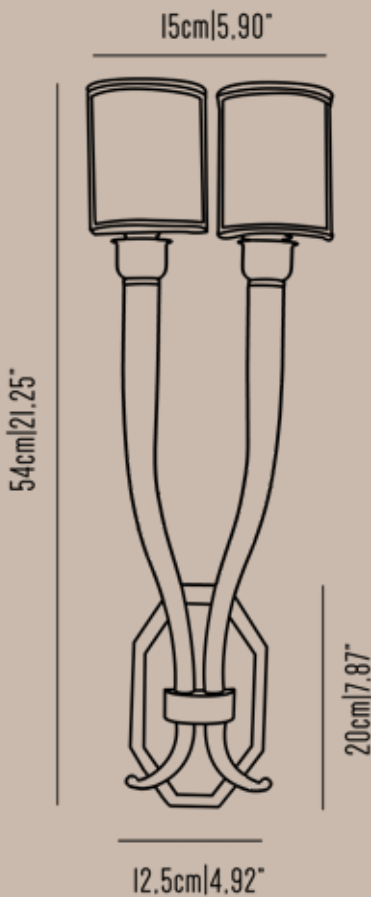
NOVECENTO 214

(pg. 46)



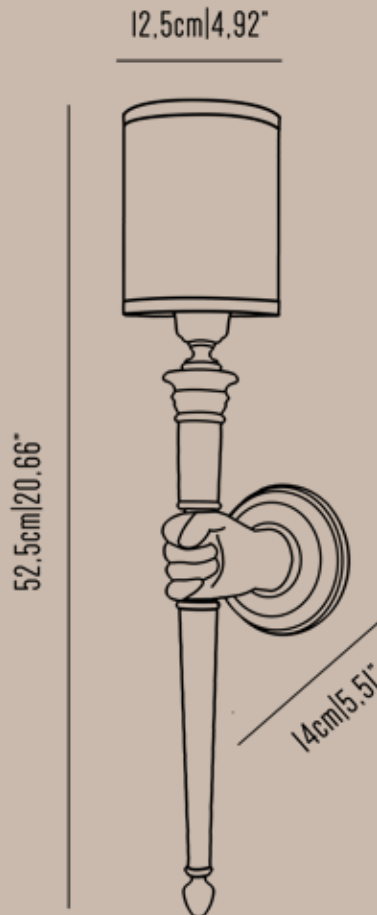
NOVECENTO 215

(pg. 46)



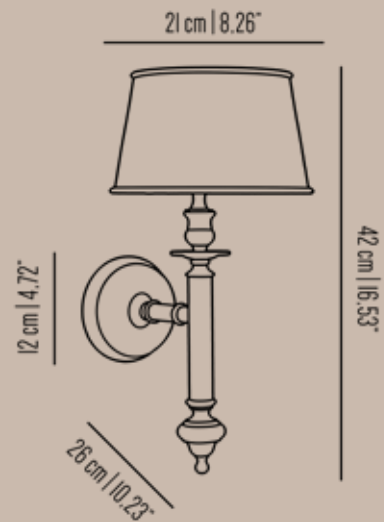
NOVECENTO 216

(pg. 46)



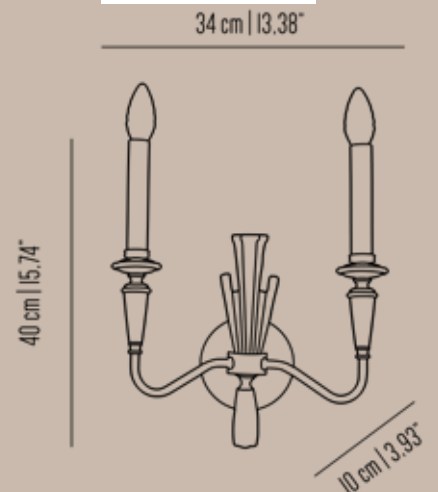
NOVECENTO 217

(pg. 47)



NOVECENTO 218

(pg. 47)

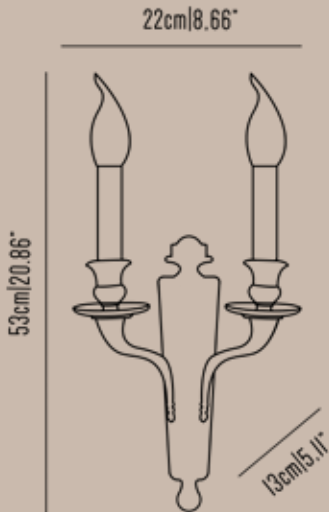


# Appliques

pg 130

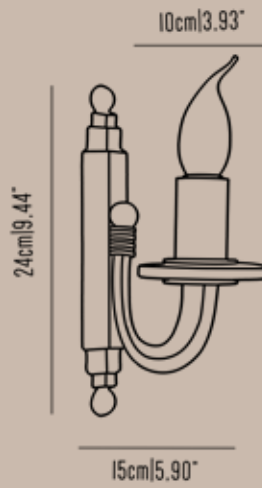
NOVECENTO 219

(pg. 48)



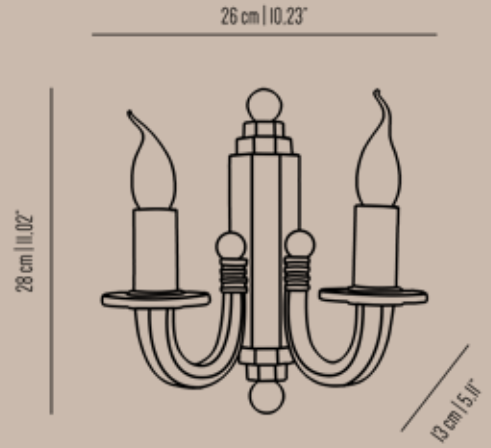
NOVECENTO 220

(pg. 47)



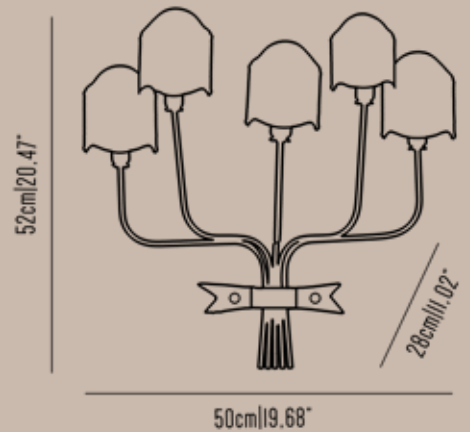
NOVECENTO 221

(pg. 47)



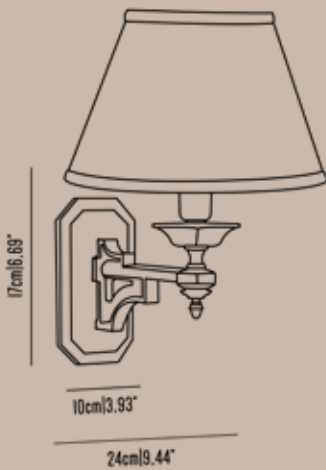
NOVECENTO 226

(pg. 49)



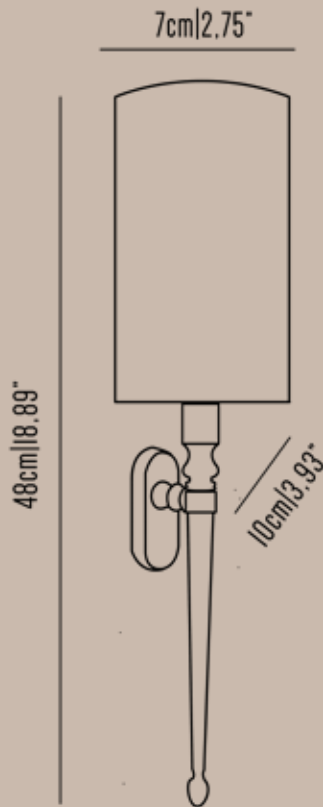
NOVECENTO 222

(pg. 48)



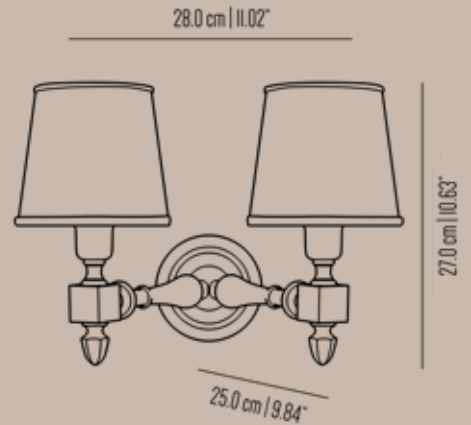
NOVECENTO 223

(pg. 48)



NOVECENTO 229

(pg. 49)

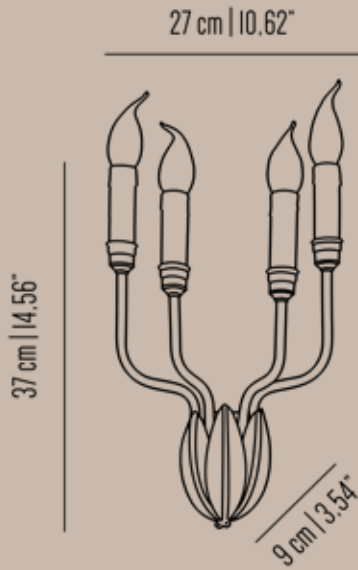


# Appliques

pg 131

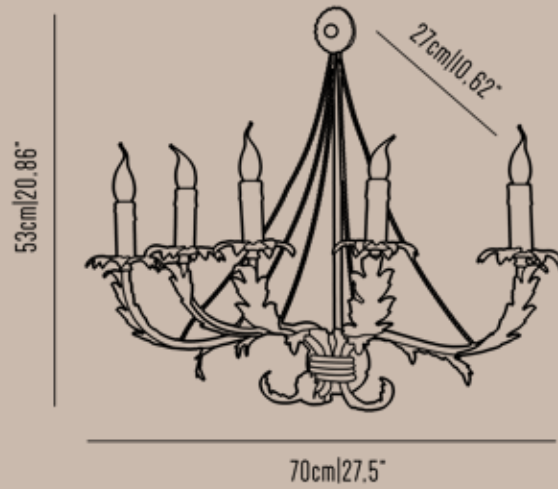
NOVECENTO 227

(pg. 49)



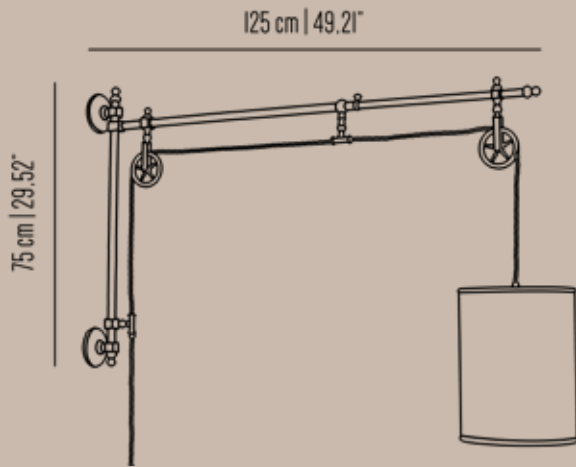
NOVECENTO 228

(pg. 49)



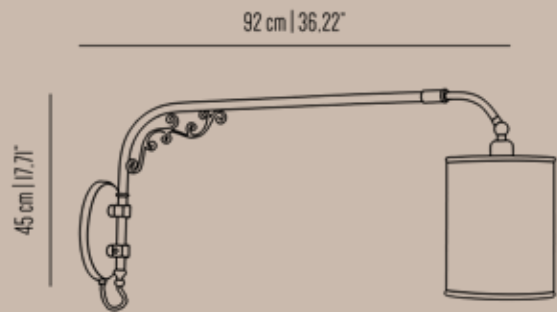
NOVECENTO 230

(pg. 50)



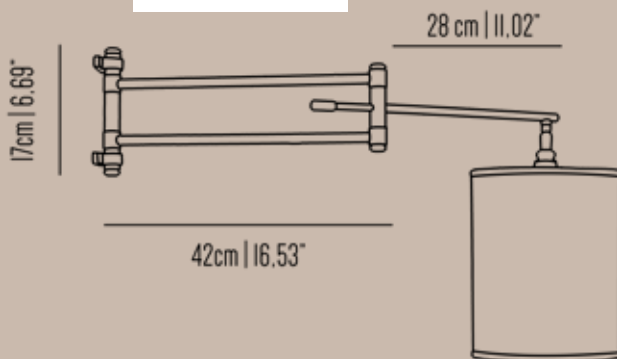
NOVECENTO 231

(pg. 50)



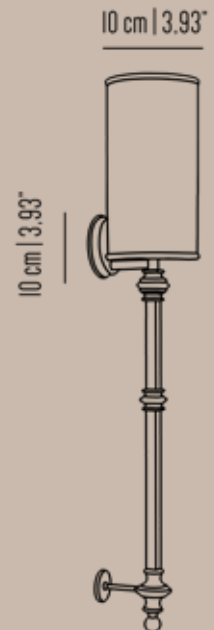
NOVECENTO 232

(pg. 50)



NOVECENTO 224

(pg. 48)

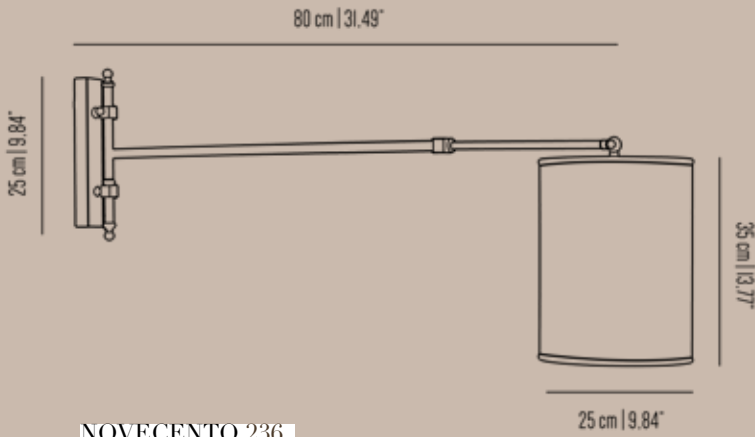


# Appliques

pg 132

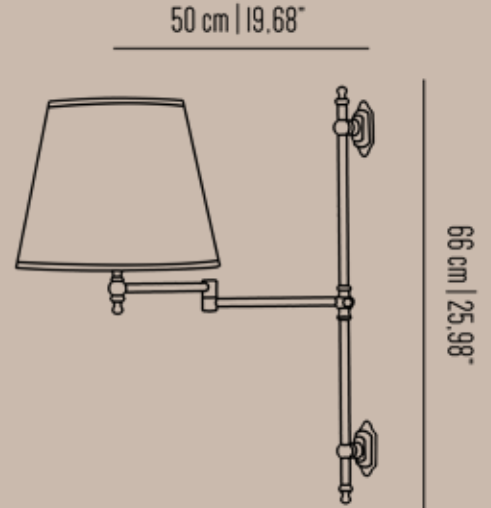
NOVECENTO 234

(pg. 50)



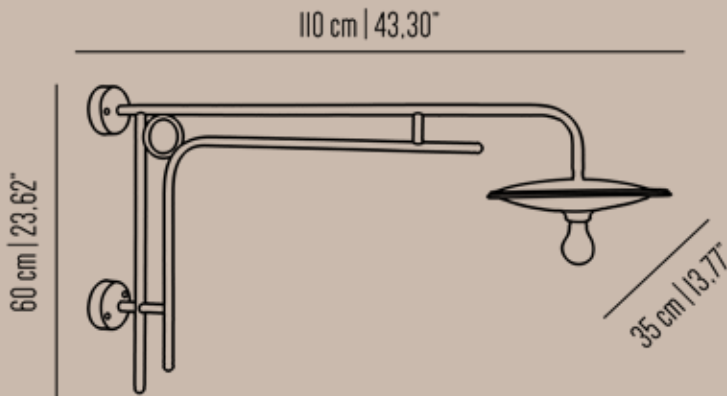
NOVECENTO 235

(pg. 51)



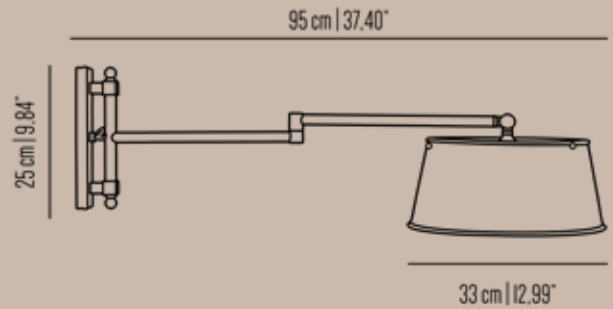
NOVECENTO 236

(pg. 51)



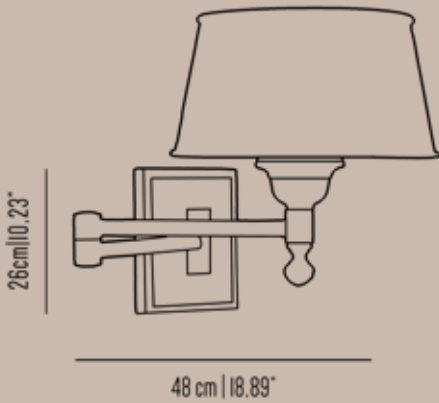
NOVECENTO 239

(pg. 51)



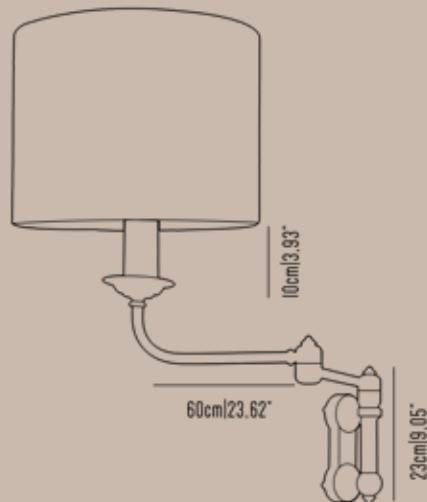
NOVECENTO 238

(pg. 52)



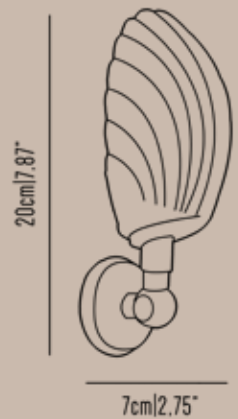
NOVECENTO 237

(pg. 52)



NOVECENTO 242

(pg. 53)



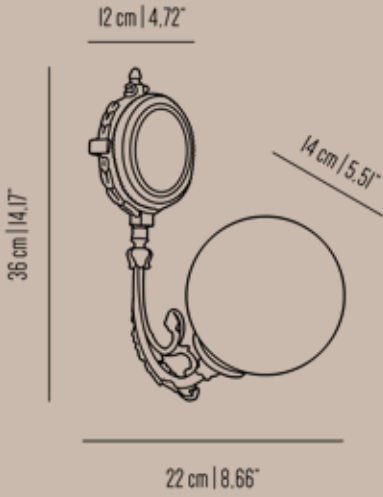


# Appliques

pg 133

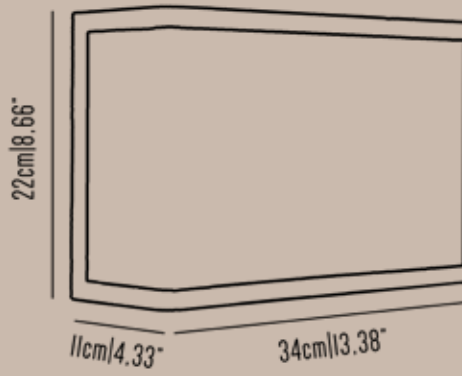
NOVECENTO 240

(pg. 52)



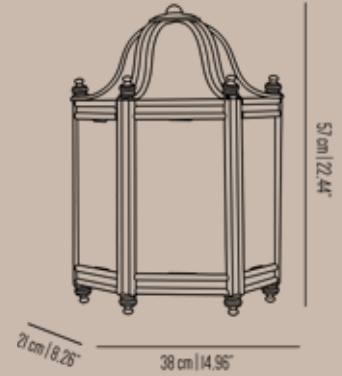
NOVECENTO 241

(pg. 52)



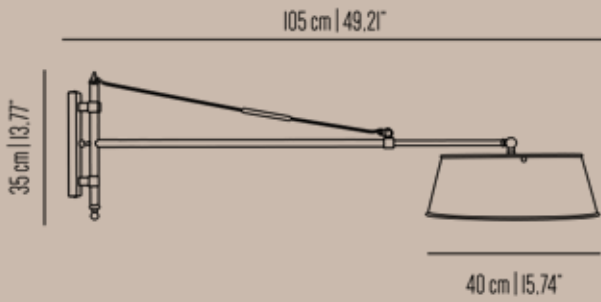
NOVECENTO 319

(pg. 53)



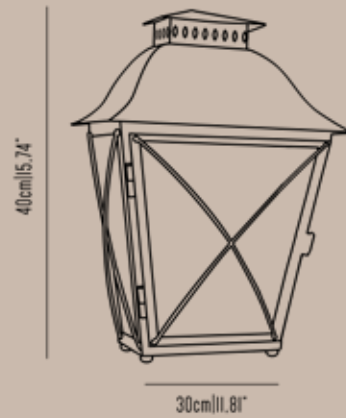
NOVECENTO 243

(pg. 51)



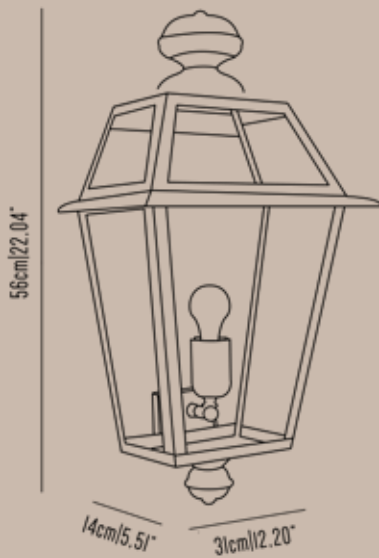
NOVECENTO 320

(pg. 53)



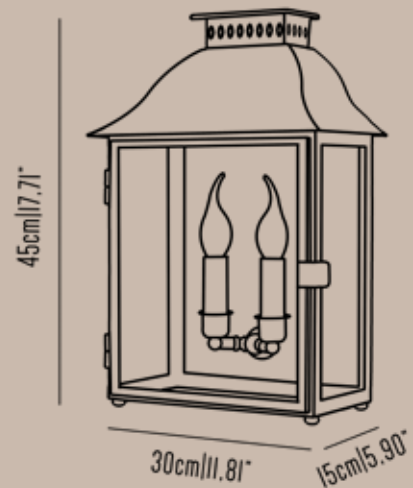
NOVECENTO 322

(pg. 54)



NOVECENTO 321

(pg. 53)



# Appliques

pg 134

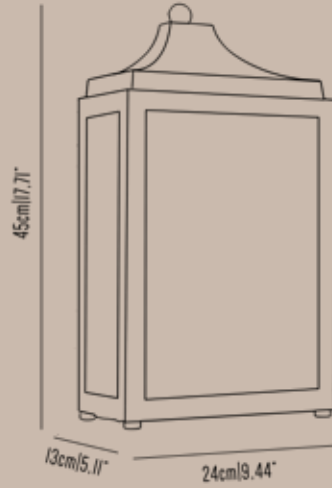
NOVECENTO 323 DUO

(pg. 55)



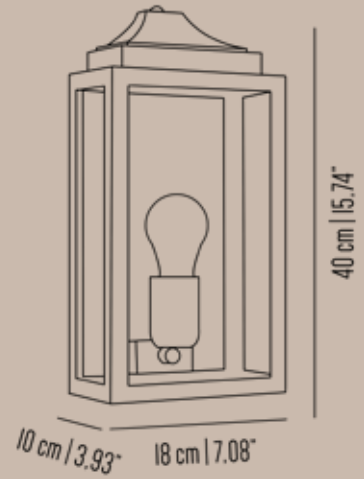
NOVECENTO 323 LARGE

(pg. 54)



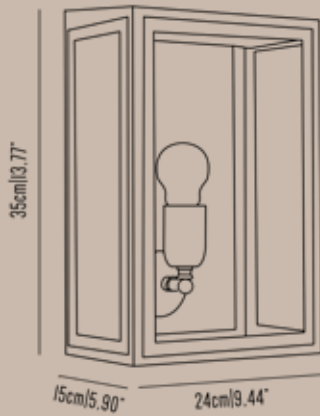
NOVECENTO 323 SMALL

(pg. 54)



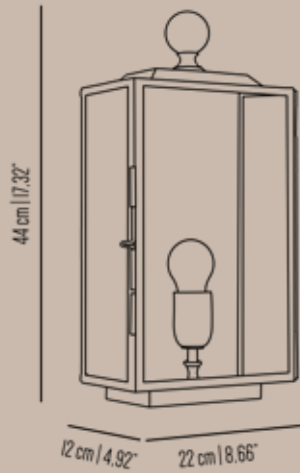
NOVECENTO 324

(pg. 54)



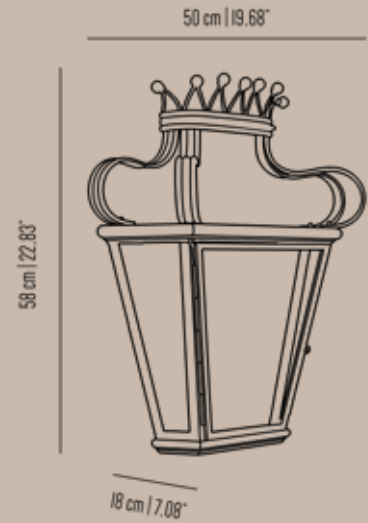
NOVECENTO 325

(pg. 55)



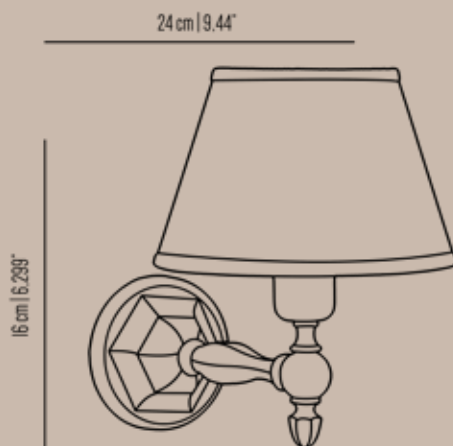
NOVECENTO 326

(pg. 55)



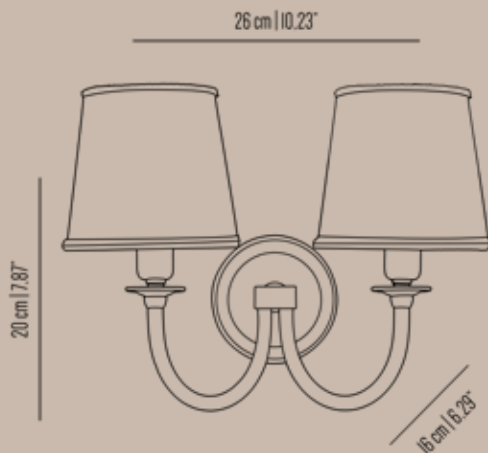
NOVECENTO 328

(pg. 56)



NOVECENTO 329

(pg. 56)

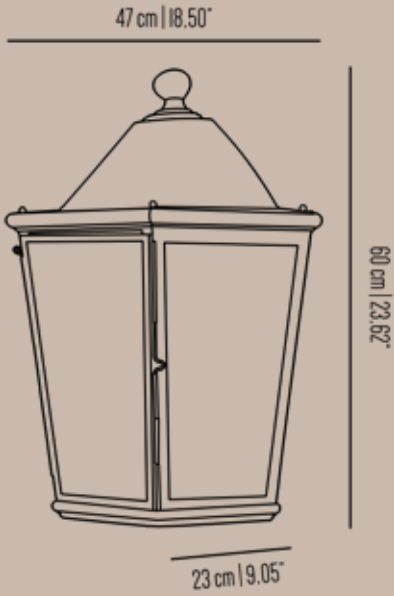


# Appliques

pg 135

NOVECENTO 327 MEDIUM

(pg. 55)



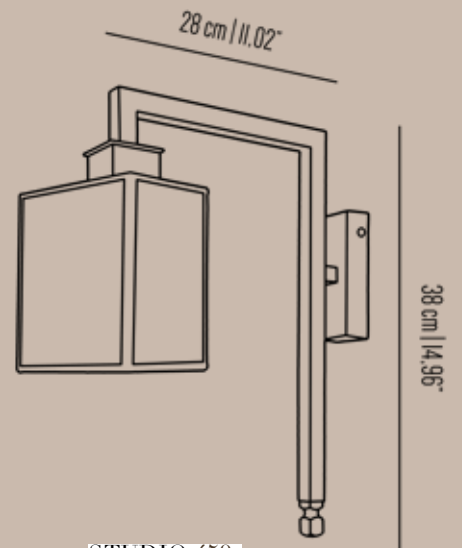
NOVECENTO 327 SMALL

(pg. 55)



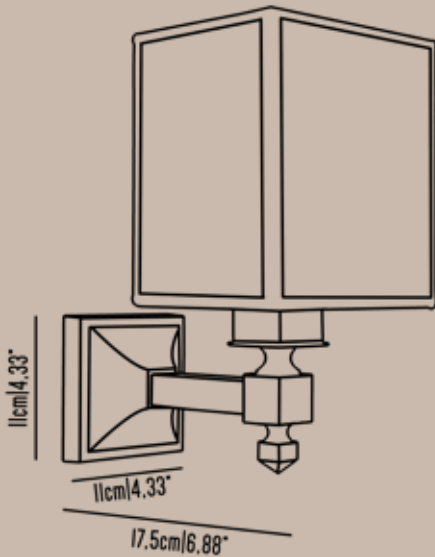
STUDIO 449

(pg. 57)



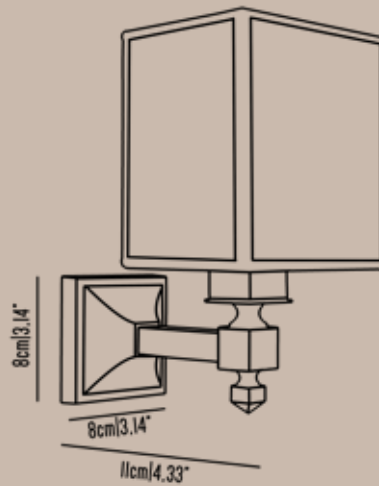
STUDIO 448 MEDIUM

(pg. 57)



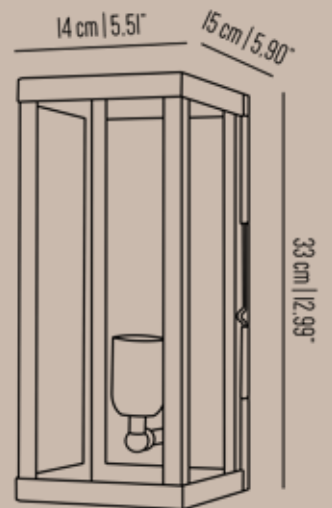
STUDIO 448 SMALL

(pg. 57)



STUDIO 450

(pg. 57)



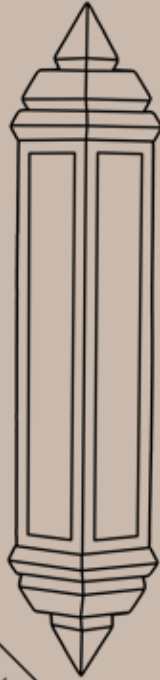
# Appliques

pg 136

NOVECENTO 331

(pg. 58)

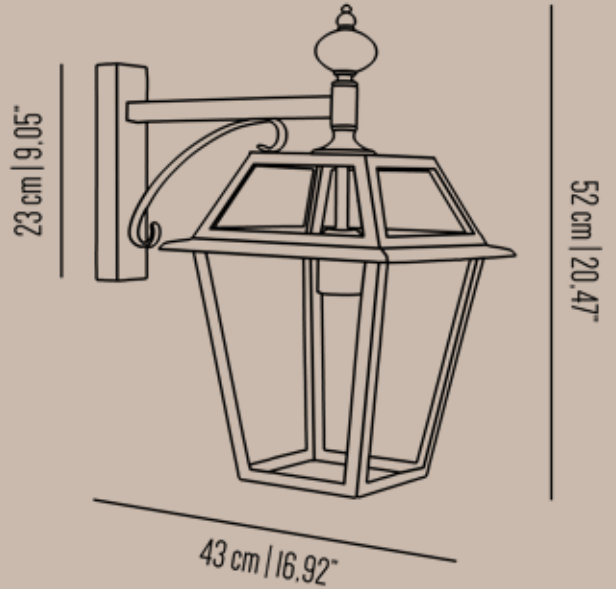
12 cm | 4.72"



NOVECENTO 333

(pg. 59)

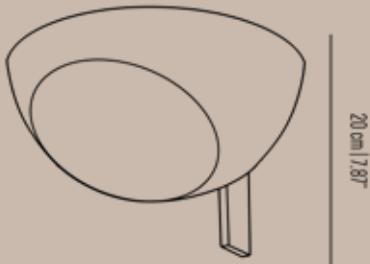
45 cm | 17.71"



NOVECENTO 330

(pg. 58)

30 cm | 11.81"



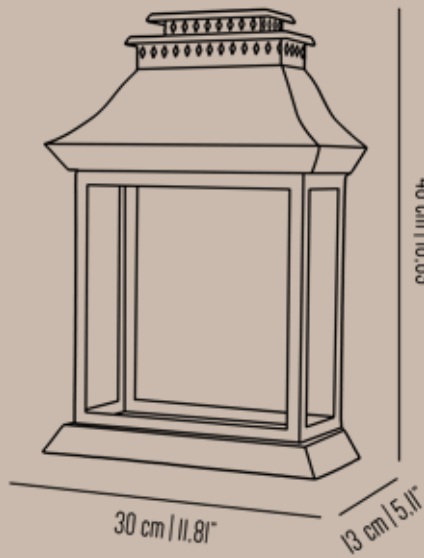
20 cm | 7.87"

NOVECENTO 332

(pg. 58)

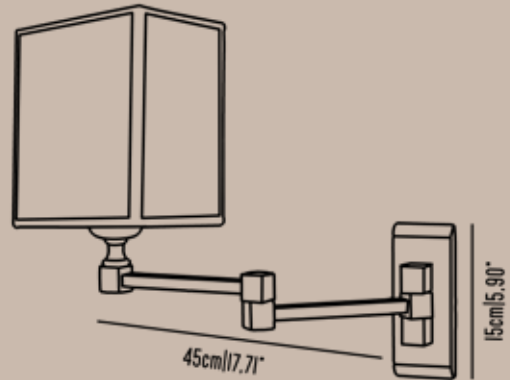
10 cm | 3.93"

48 cm | 18.89"



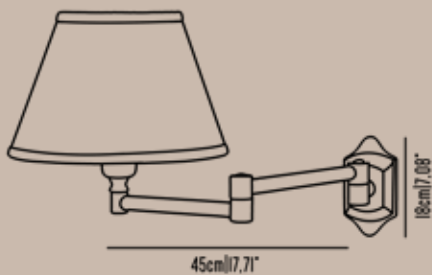
STUDIO 430

(pg. 56)



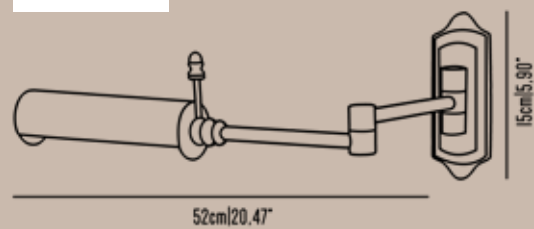
STUDIO 431

(pg. 56)



STUDIO 432

(pg. 57)

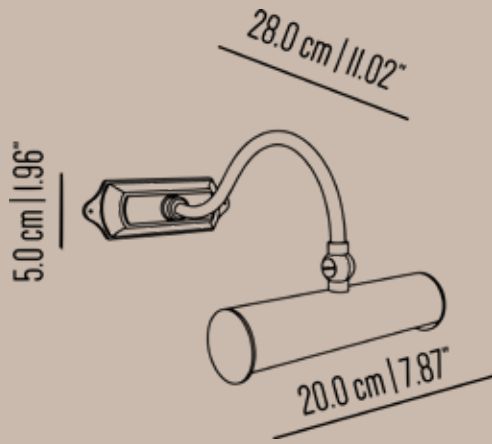


# Picture Lights

pg 137

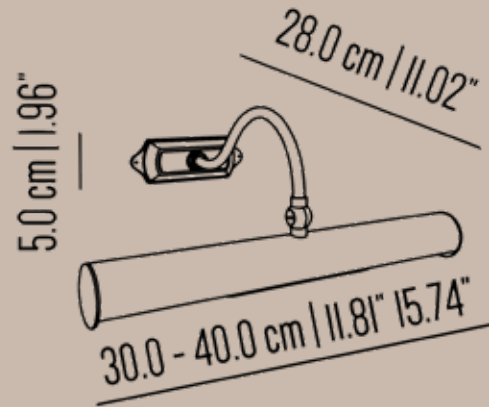
## STUDIO 477 EXTRA SMALL

(pg. 60)



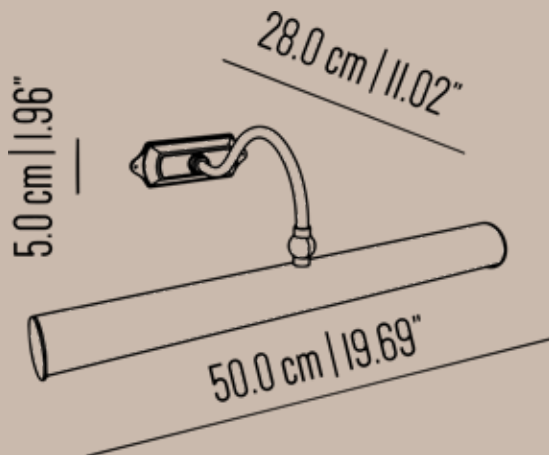
## STUDIO 477 SMALL

(pg. 60)



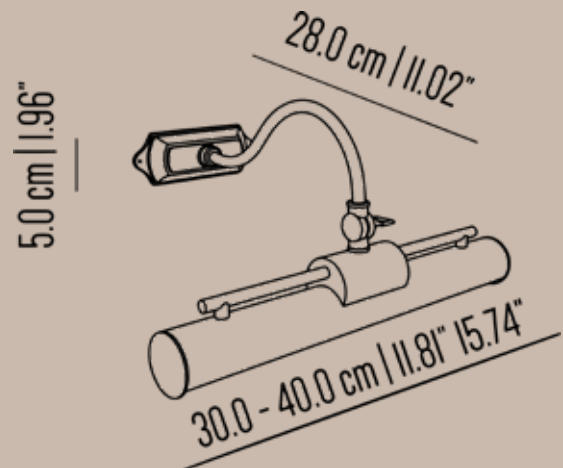
## STUDIO 477 MEDIUM

(pg. 60)



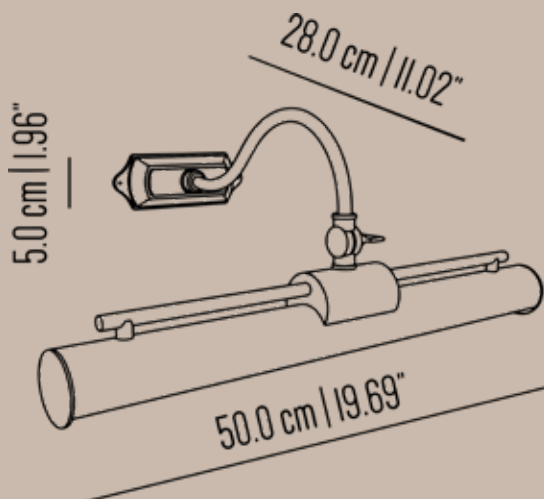
## STUDIO 477 DOUBLE SMALL

(pg. 60)



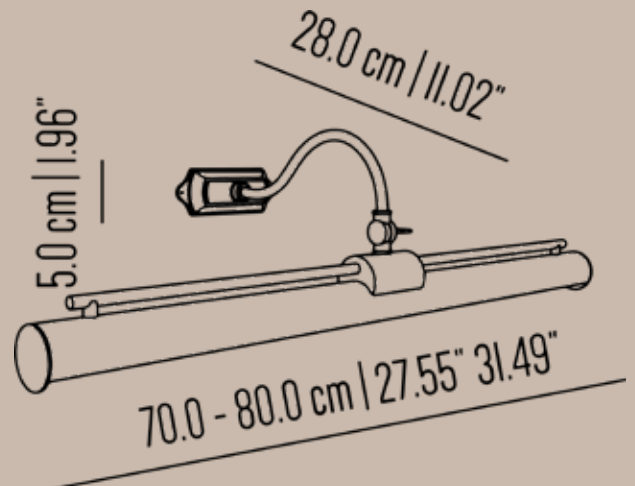
## STUDIO 477 DOUBLE MEDIUM

(pg. 60)



## STUDIO 477 DOUBLE LARGE

(pg. 60)

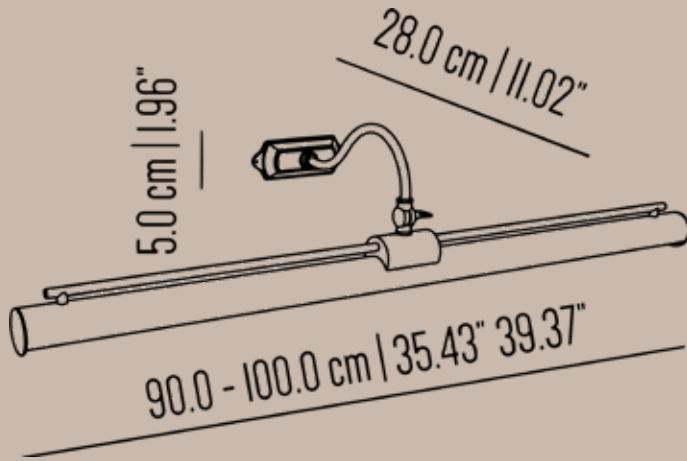


# Picture Lights

pg 138

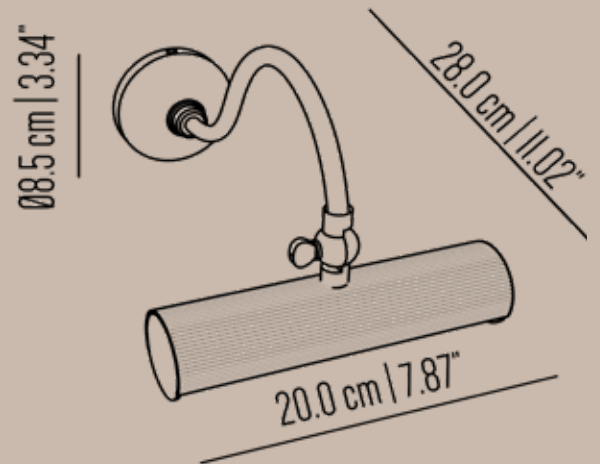
STUDIO 477 DOUBLE EXTRA LARGE

(pg. 60)



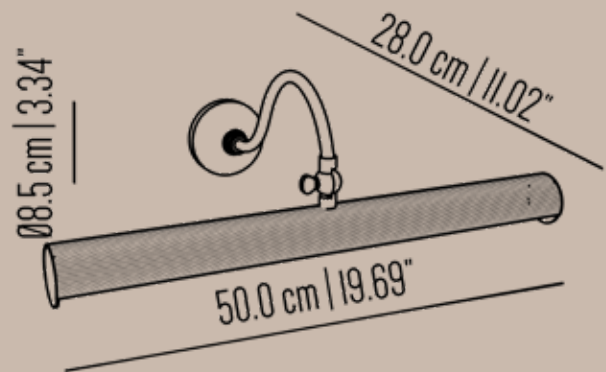
STUDIO 478 EXTRA SMALL

(pg. 60)



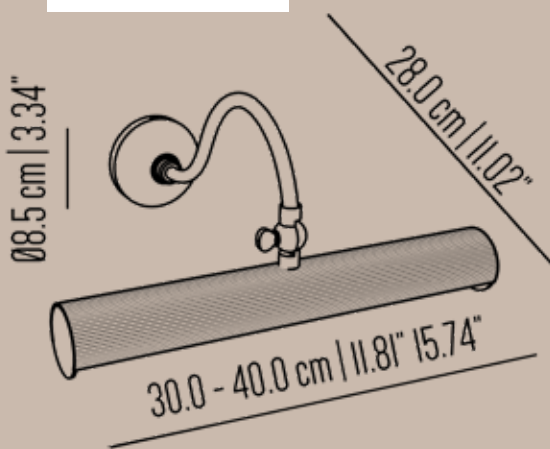
STUDIO 478 MEDIUM

(pg. 60)



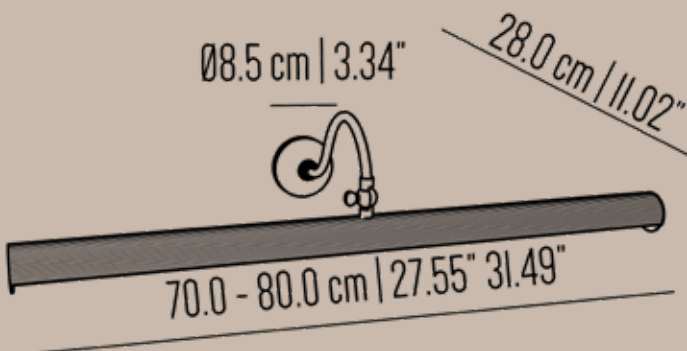
STUDIO 478 SMALL

(pg. 60)



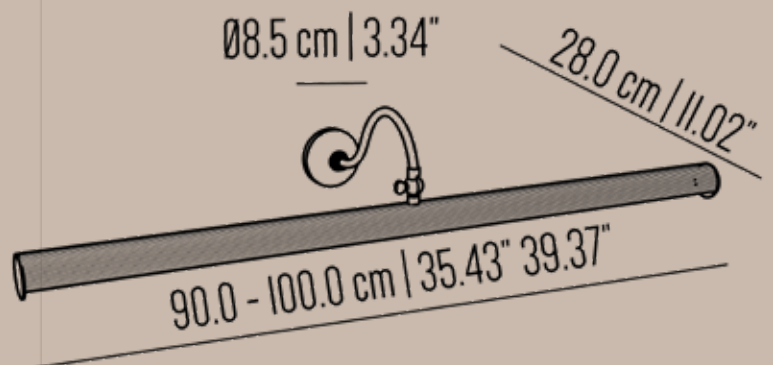
STUDIO 478 LARGE

(pg. 60)



STUDIO 478 EXTRA LARGE

(pg. 60)

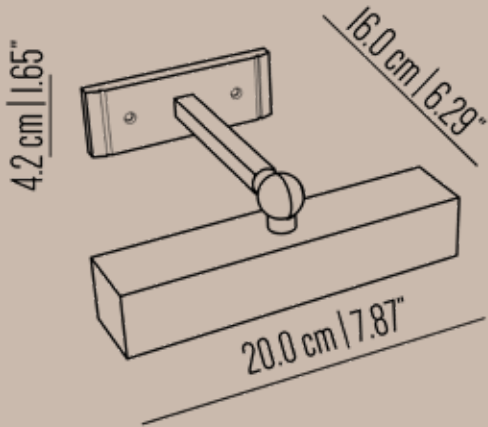


# Picture Lights

pg 139

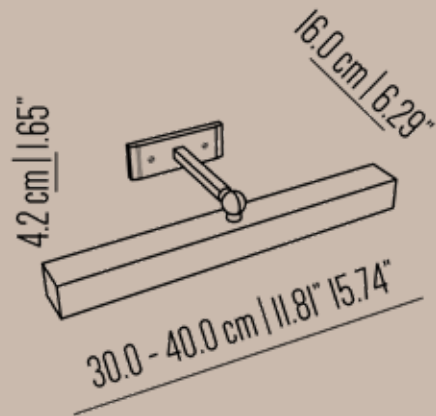
## STUDIO 479 EXTRA SMALL

(pg. 61)



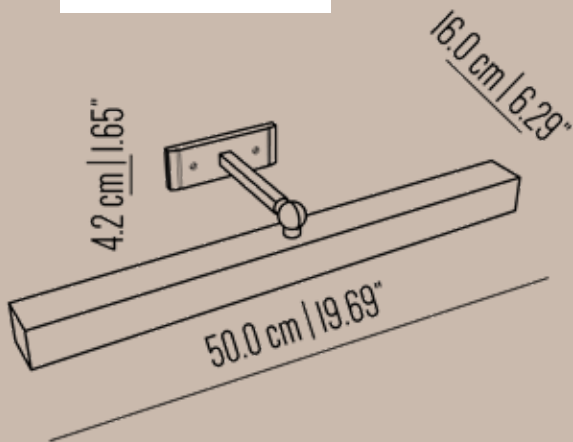
## STUDIO 479 SMALL

(pg. 61)



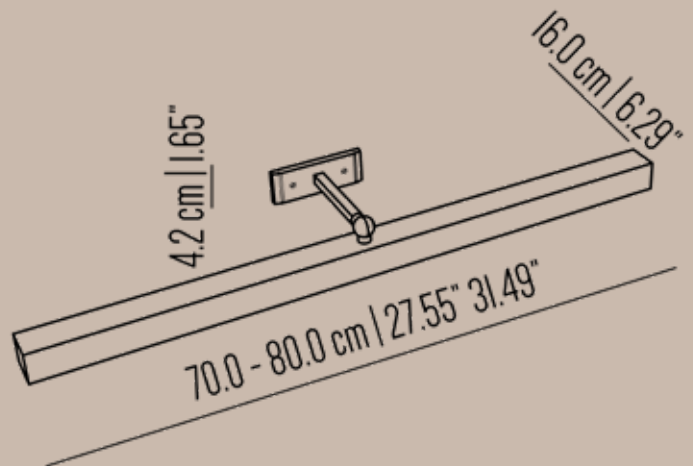
## STUDIO 479 MEDIUM

(pg. 61)



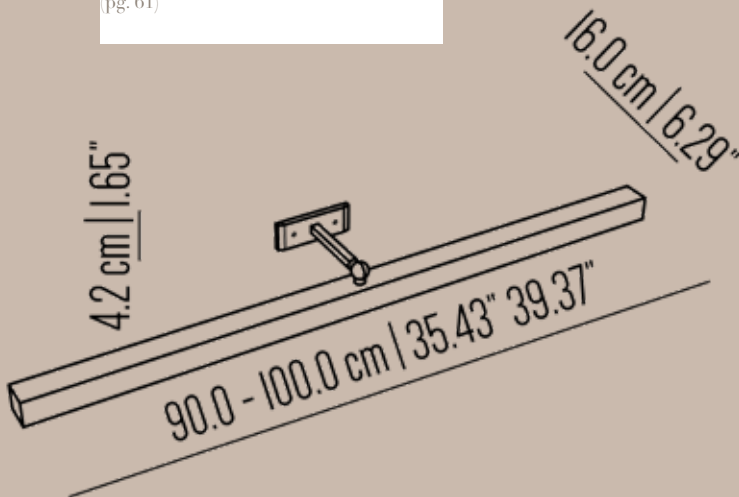
## STUDIO 479 LARGE

(pg. 61)



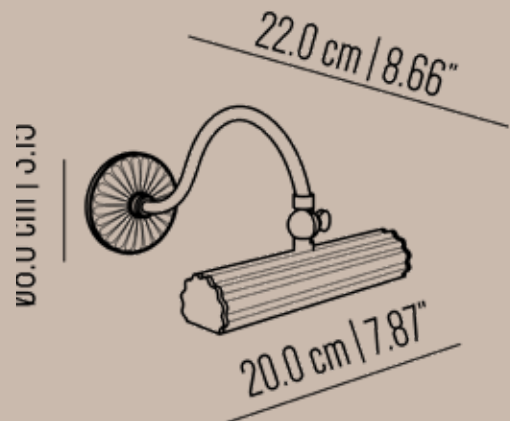
## STUDIO 479 EXTRA LARGE

(pg. 61)



## STUDIO 480 EXTRA SMALL

(pg. 61)



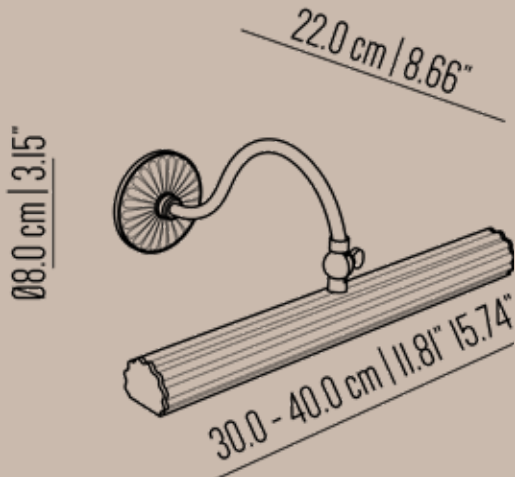


# Picture Lights

pg 140

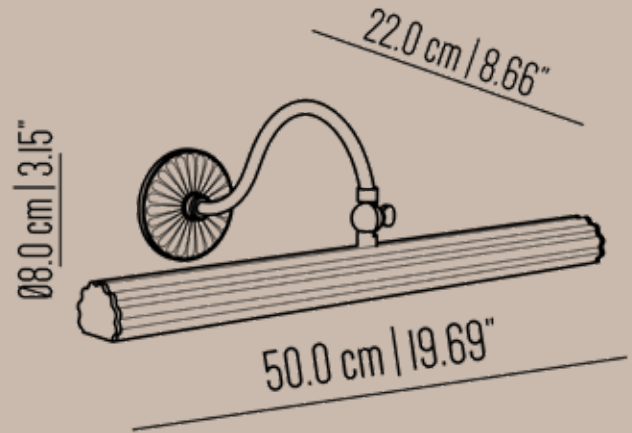
STUDIO 480 SMALL

(pg. 61)



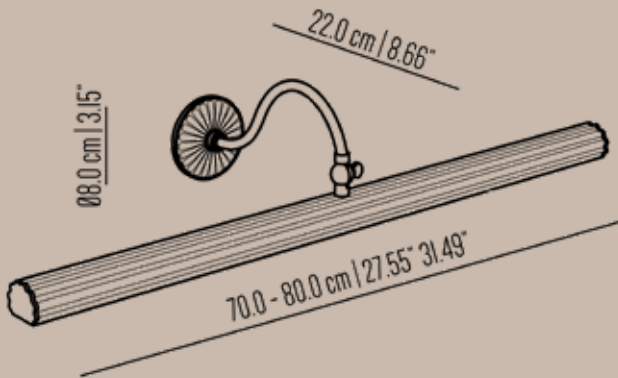
STUDIO 480 MEDIUM

(pg. 61)



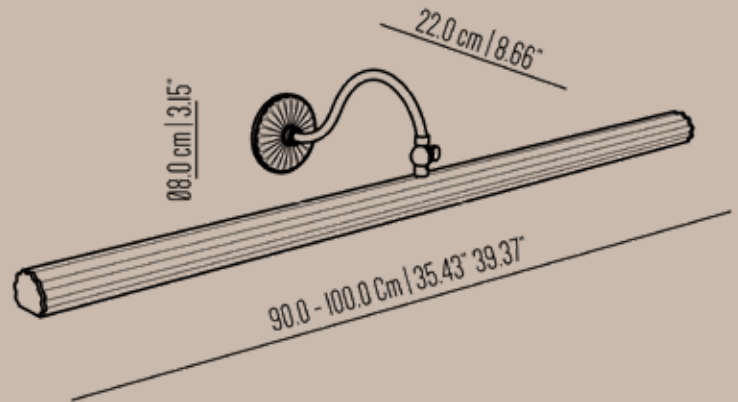
STUDIO 480 LARGE

(pg. 61)



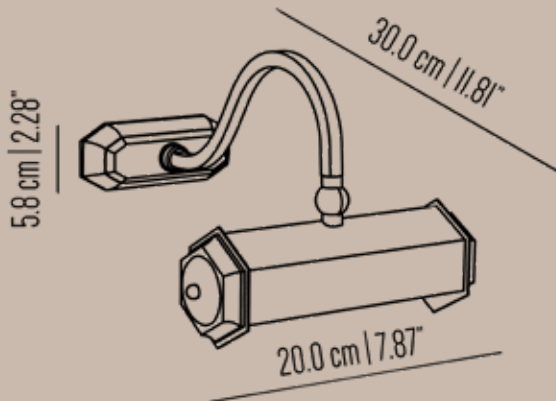
STUDIO 480 EXTRA LARGE

(pg. 61)



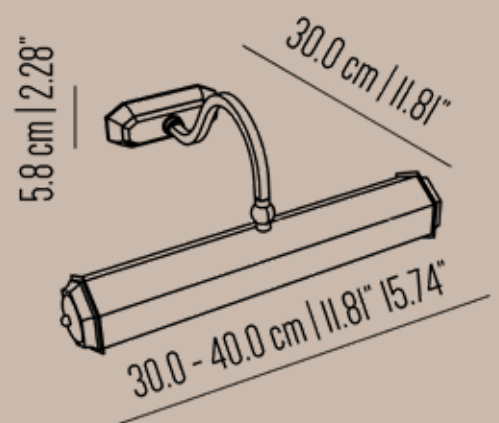
STUDIO 482 EXTRA SMALL

(pg. 61)



STUDIO 482 SMALL

(pg. 61)



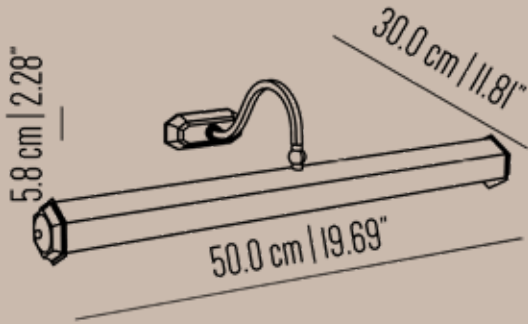


# Picture Lights

pg 141

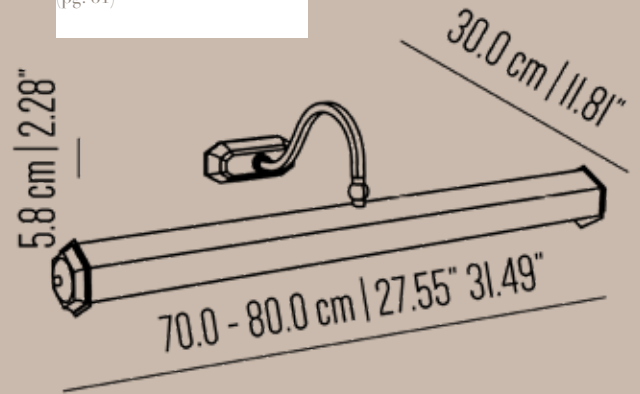
STUDIO 482 MEDIUM

(pg. 61)



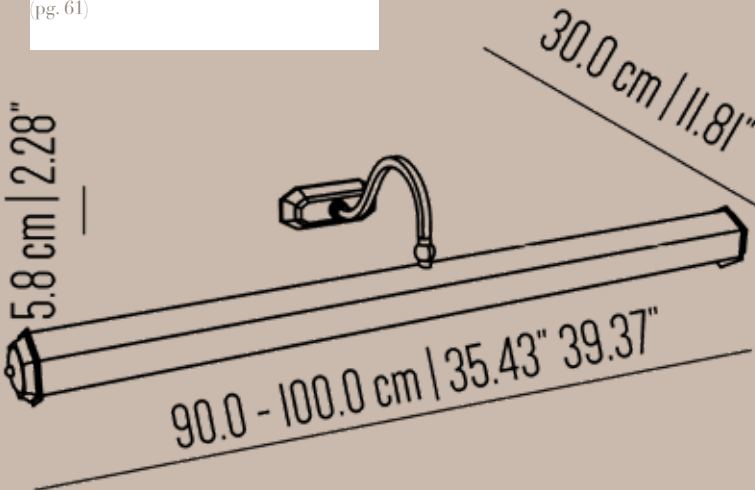
STUDIO 482 LARGE

(pg. 61)



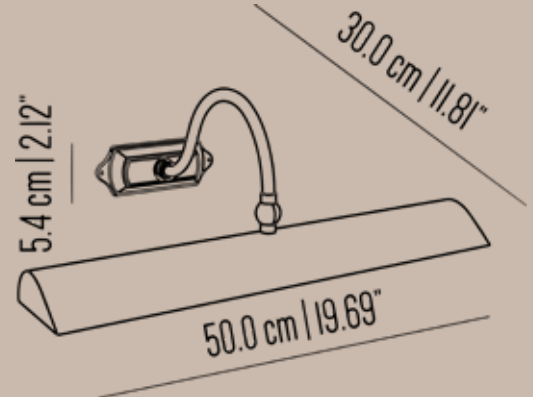
STUDIO 482 EXTRA LARGE

(pg. 61)



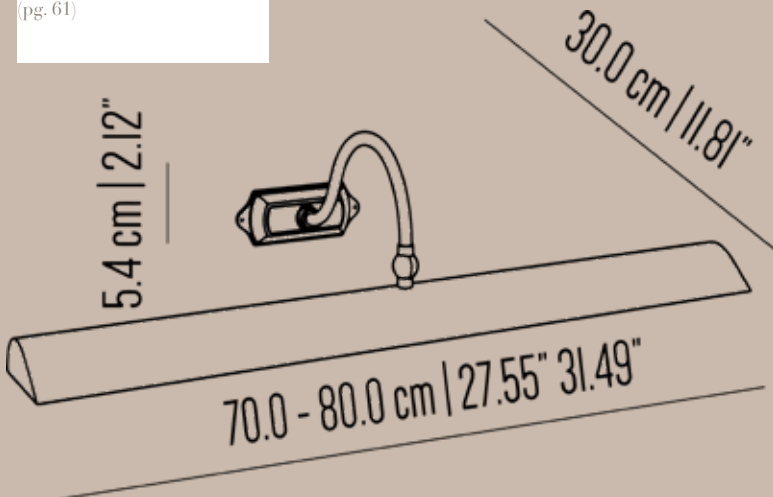
STUDIO 486 MEDIUM

(pg. 61)



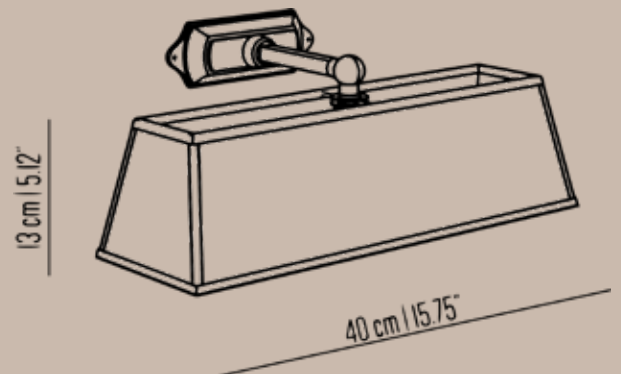
STUDIO 486 LARGE

(pg. 61)



STUDIO 487 SMALL

(pg. 62)

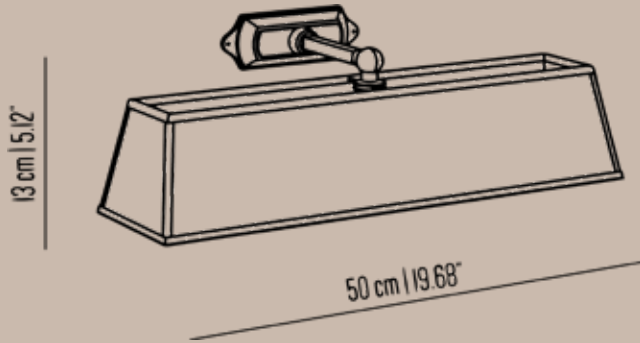


# Picture Lights

pg 142

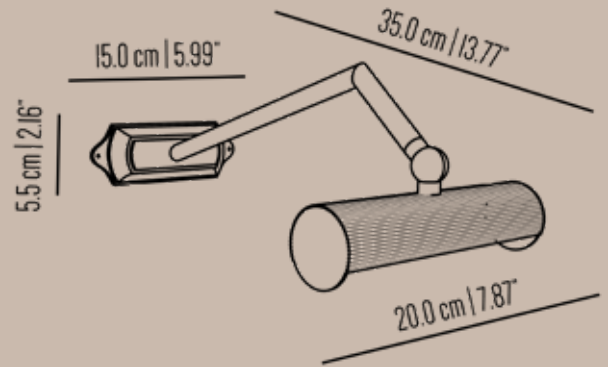
## STUDIO 487 MEDIUM

(pg. 62)



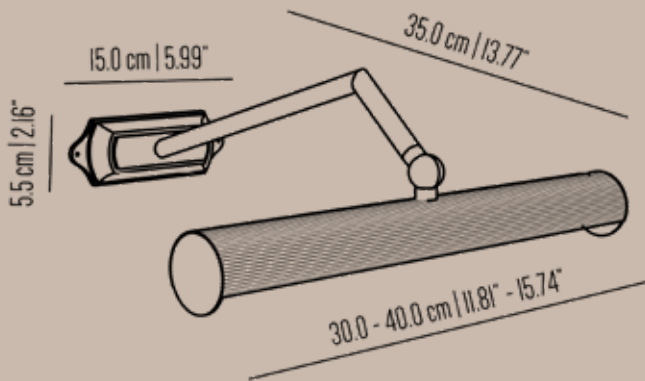
## STUDIO 490 EXTRA SMALL

(pg. 62)



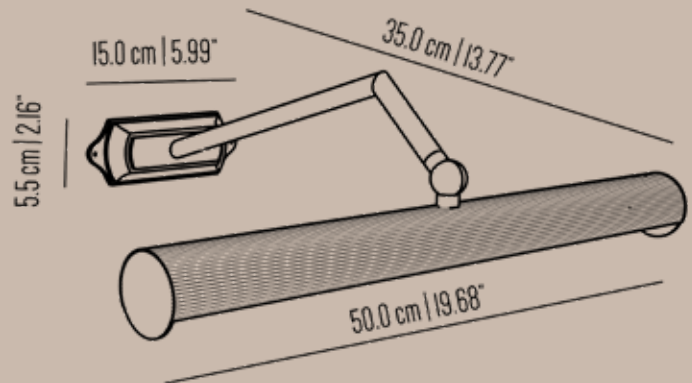
## STUDIO 490 SMALL

(pg. 62)



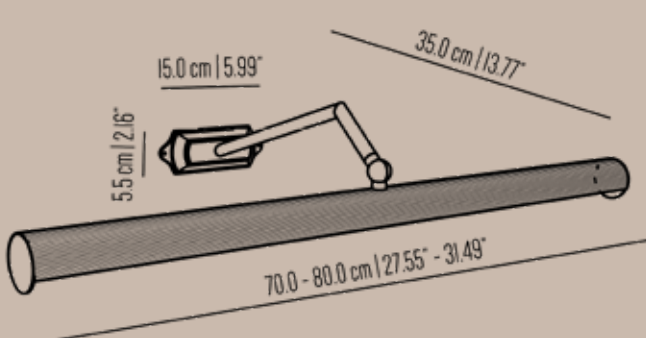
## STUDIO 490 MEDIUM

(pg. 62)



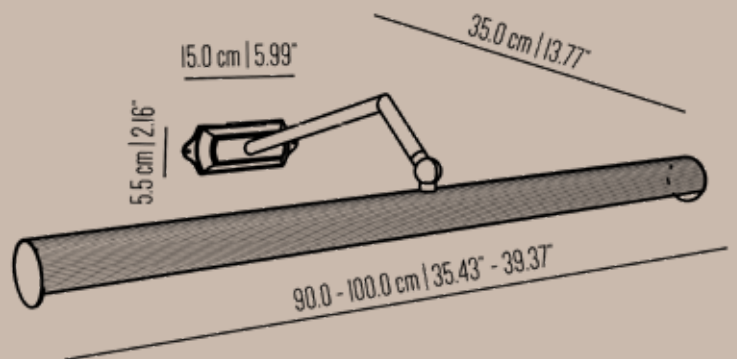
## STUDIO 490 LARGE

(pg. 62)



## STUDIO 490 EXTRA LARGE

(pg. 62)



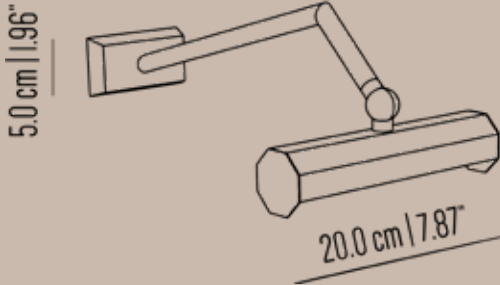
# Picture Lights

pg 143

STUDIO 491 EXTRA SMALL

(pg. 62)

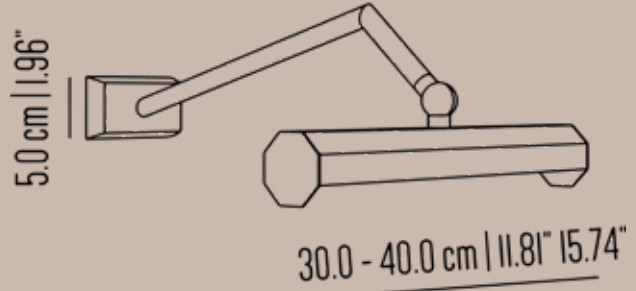
34.0 cm | 13.38"



STUDIO 491 SMALL

(pg. 62)

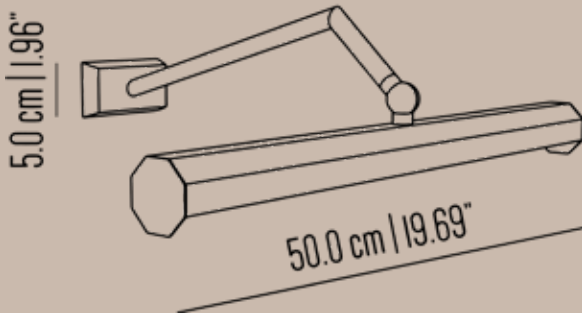
34.0 cm | 13.38"



STUDIO 491 MEDIUM

(pg. 62)

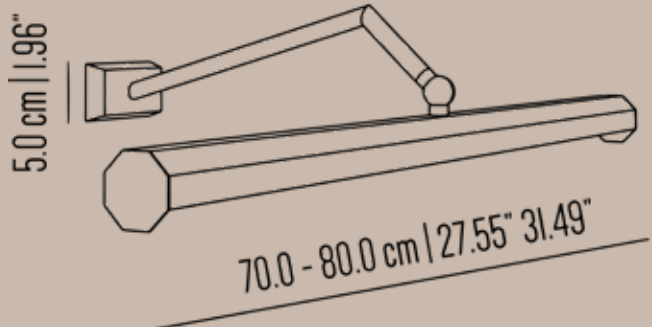
34.0 cm | 13.38"



STUDIO 491 LARGE

(pg. 62)

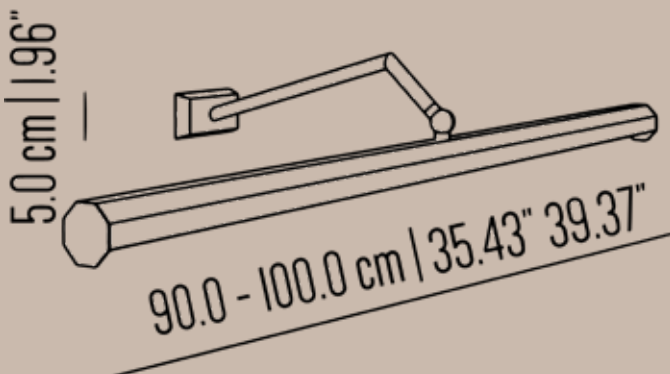
34.0 cm | 13.38"



STUDIO 491 EXTRA LARGE

(pg. 62)

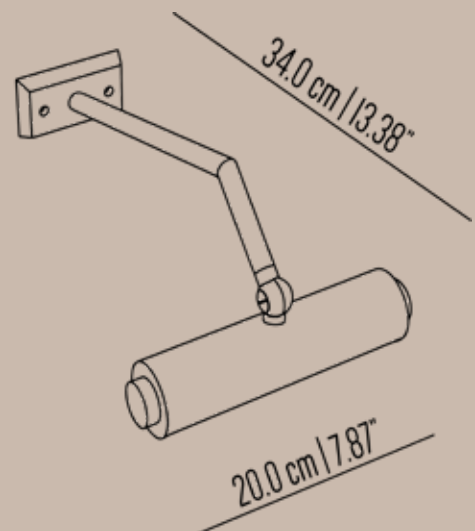
34.0 cm | 13.38"



STUDIO 492 EXTRA SMALL

(pg. 62)

5 cm | 1.96"

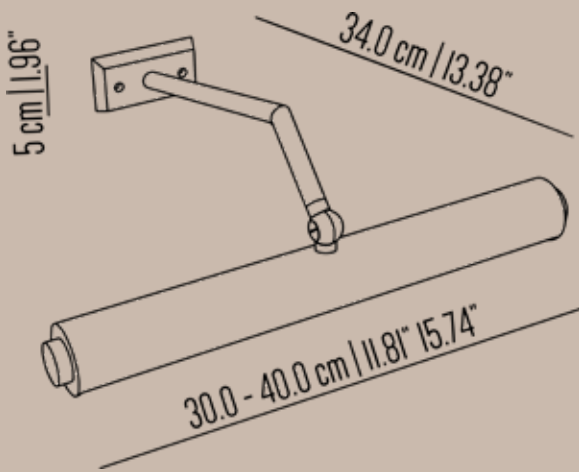


# Picture Lights

pg 144

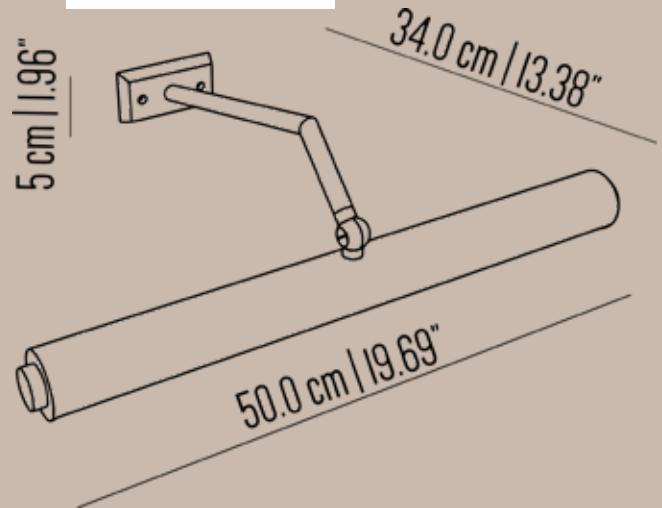
## STUDIO 492 SMALL

(pg. 62)



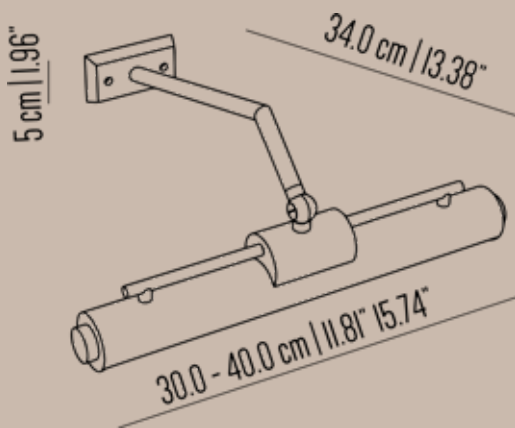
## STUDIO 492 MEDIUM

(pg. 62)



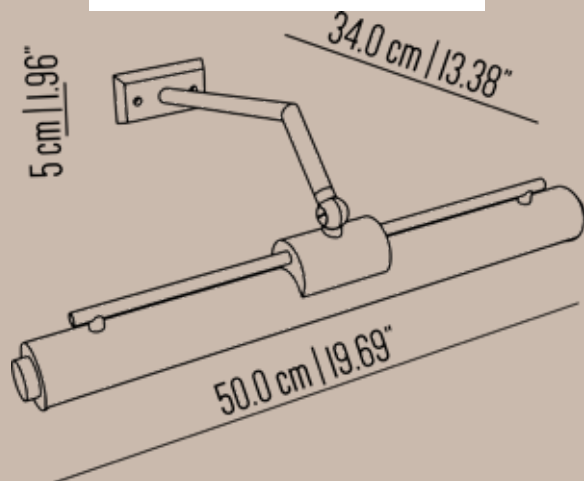
## STUDIO 492 DOUBLE SMALL

(pg. 63)



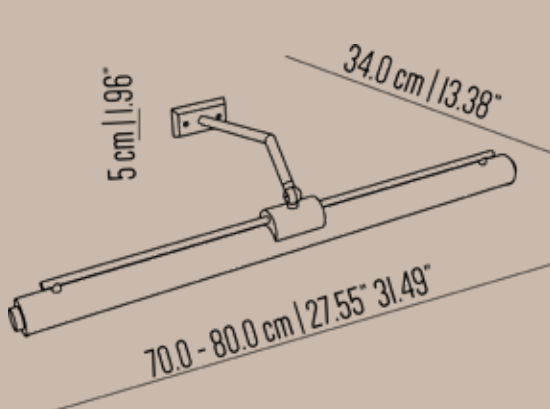
## STUDIO 492 DOUBLE MEDIUM

(pg. 63)



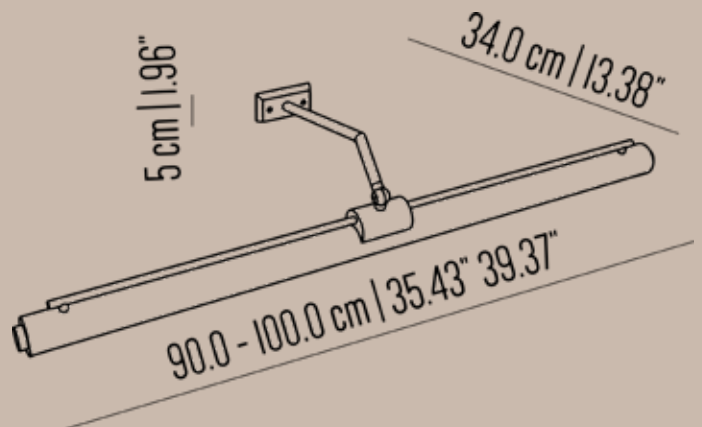
## STUDIO 492 DOUBLE LARGE

(pg. 63)



## STUDIO 492 DOUBLE EXTRA LARGE

(pg. 63)

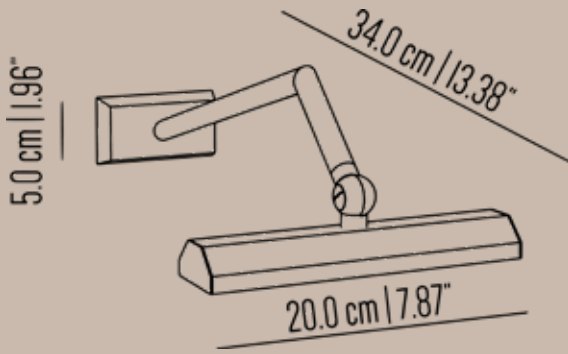


# Picture Lights

pg 145

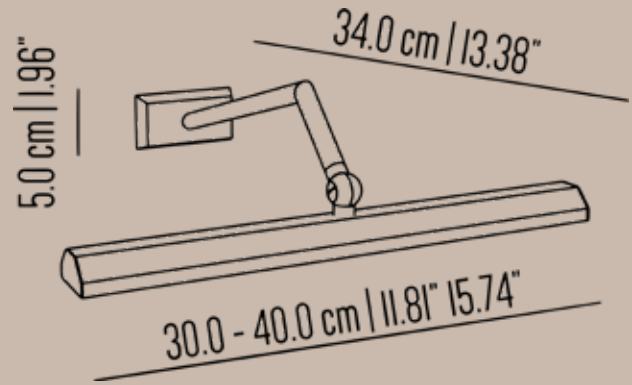
## STUDIO 493 EXTRA SMALL

(pg. 63)



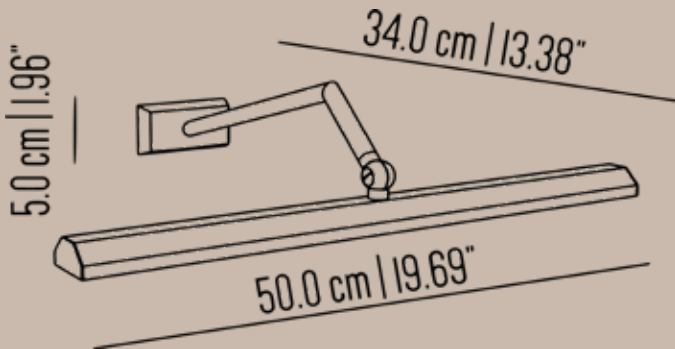
## STUDIO 493 SMALL

(pg. 63)



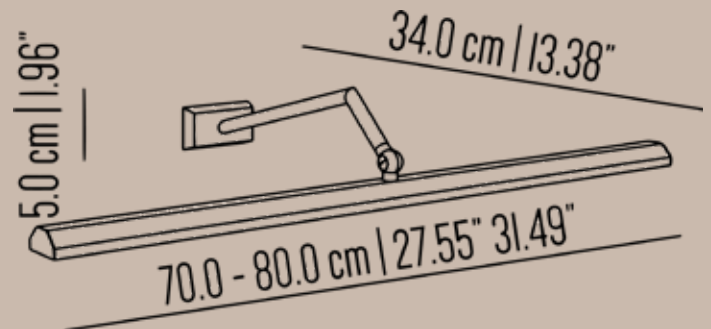
## STUDIO 493 MEDIUM

(pg. 63)



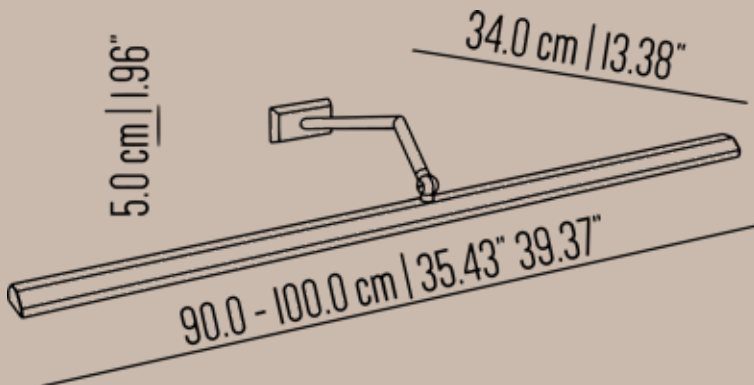
## STUDIO 493 LARGE

(pg. 63)



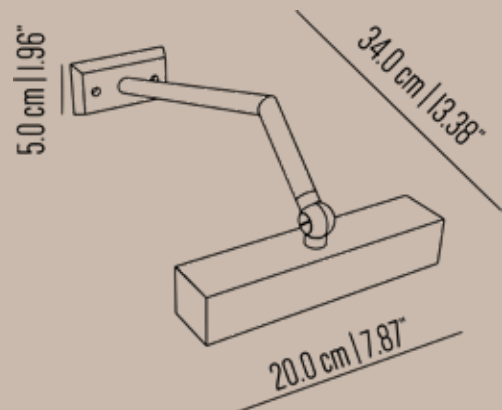
## STUDIO 493 EXTRA LARGE

(pg. 63)



## STUDIO 494 EXTRA SMALL

(pg. 63)

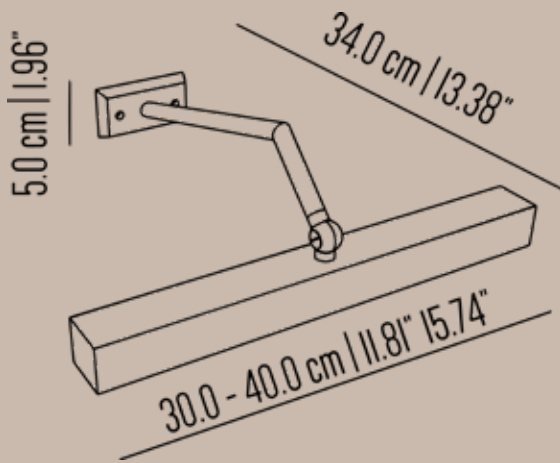


# Picture Lights

pg 146

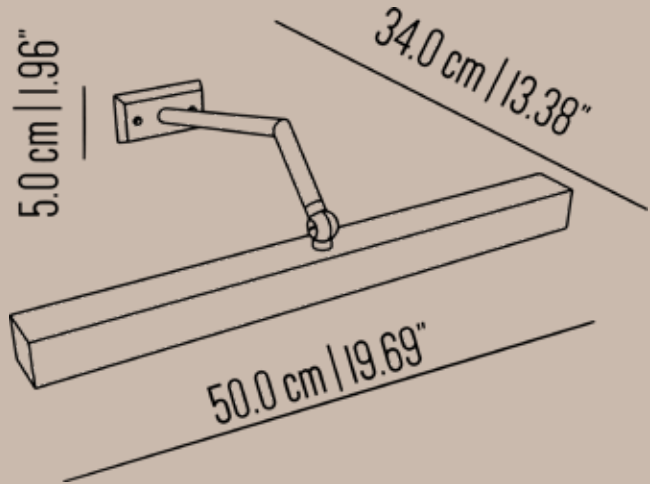
STUDIO 494 SMALL

(pg. 63)



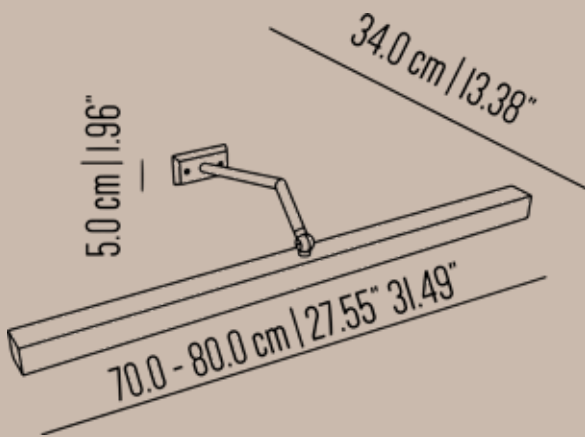
STUDIO 494 MEDIUM

(pg. 63)



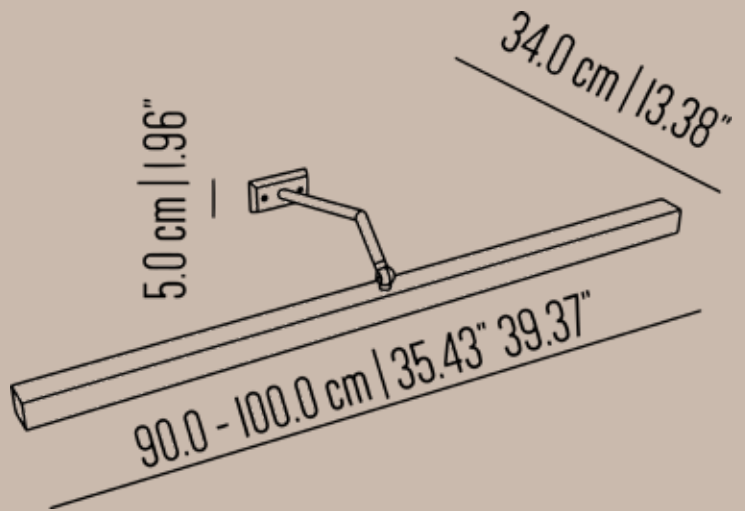
STUDIO 494 LARGE

(pg. 63)



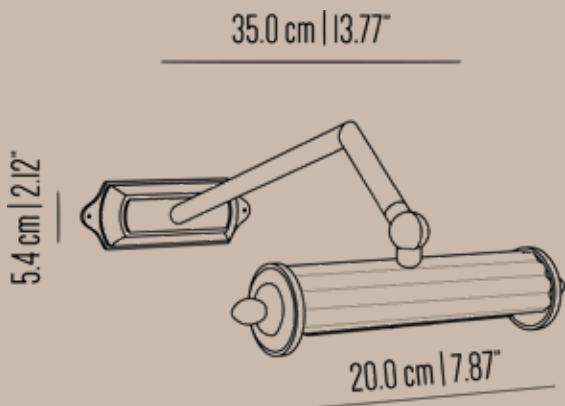
STUDIO 494 EXTRA LARGE

(pg. 63)



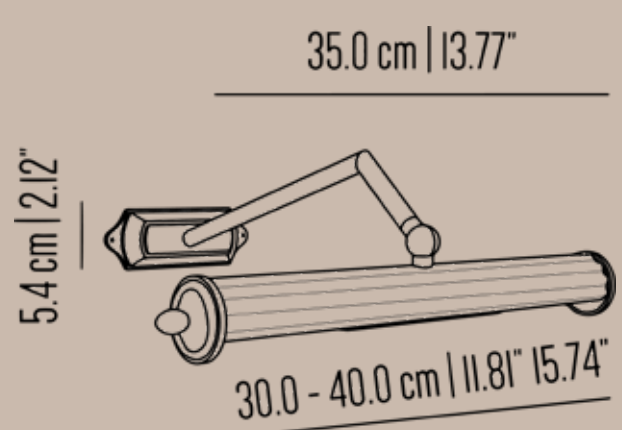
STUDIO 495 EXTRA SMALL

(pg. 63)



STUDIO 495 SMALL

(pg. 63)



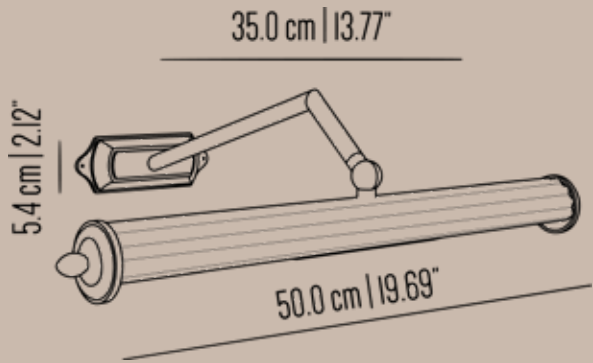


# Picture Lights

pg 147

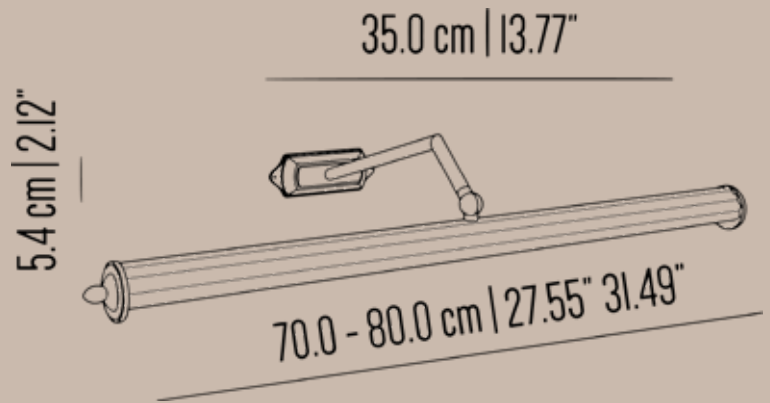
## STUDIO 495 MEDIUM

(pg. 63)



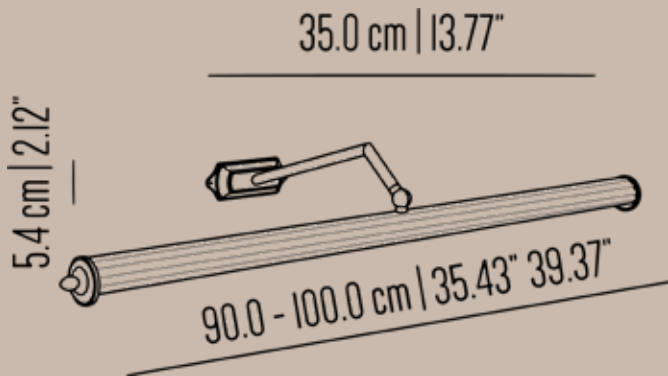
## STUDIO 495 LARGE

(pg. 63)



## STUDIO 495 EXTRA LARGE

(pg. 63)

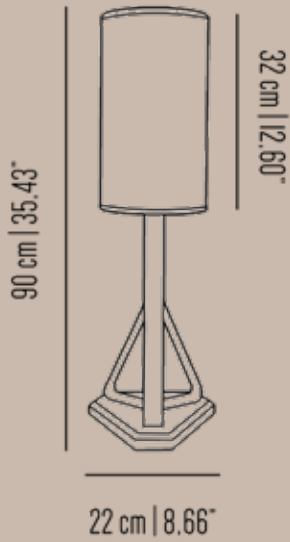


# Table Lamps

pg 148

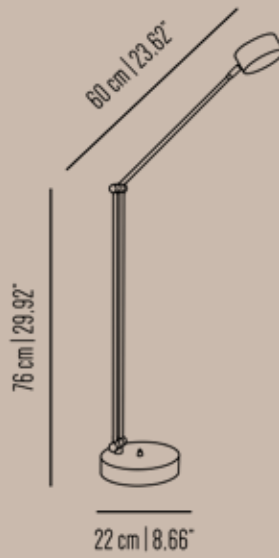
URBAN 02 RUZ

(pg. 66)



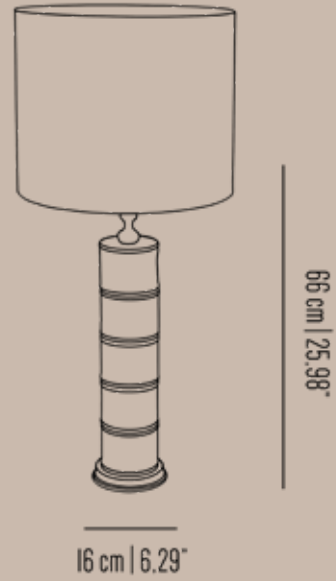
URBAN 40

(pg. 66)



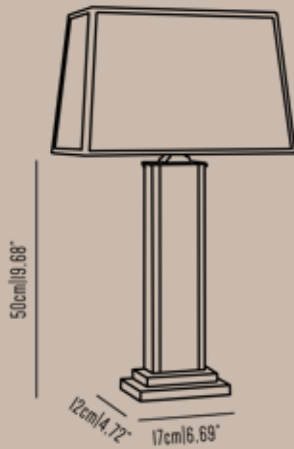
URBAN 41

(pg. 66)



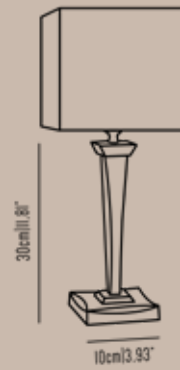
NOVECENTO 201

(pg. 67)



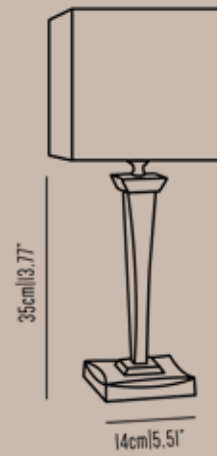
NOVECENTO 202 SMALL

(pg. 67)



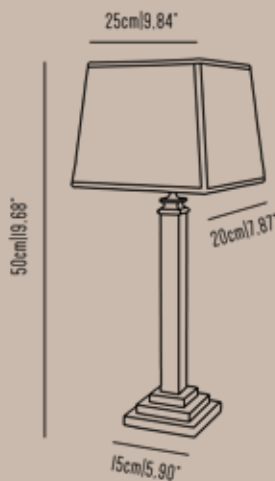
NOVECENTO 202 MEDIUM

(pg. 67)



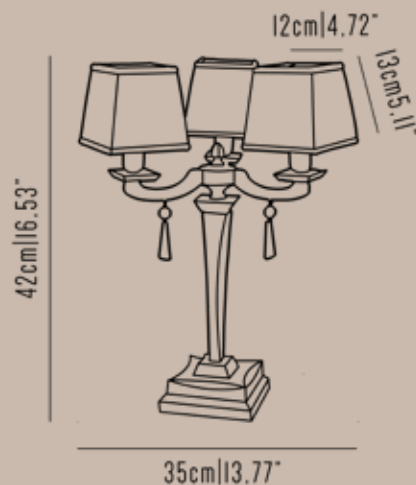
NOVECENTO 200

(pg. 67)



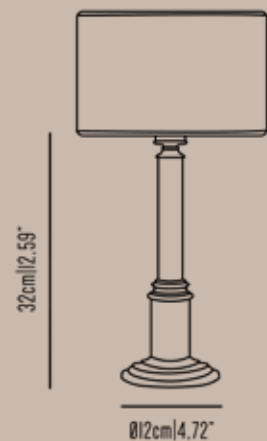
NOVECENTO 203

(pg. 67)



NOVECENTO 208 SMALL

(pg. 68)



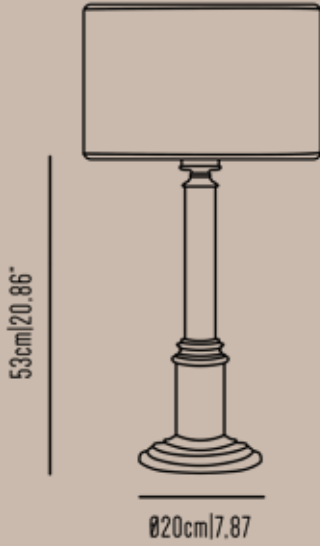


# Table Lamps

pg 149

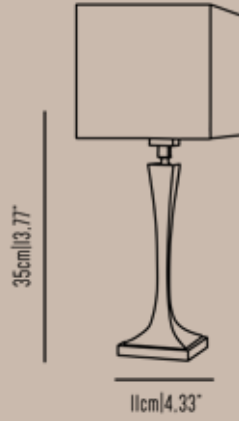
NOVECENTO 208 MEDIUM

(pg. 68)



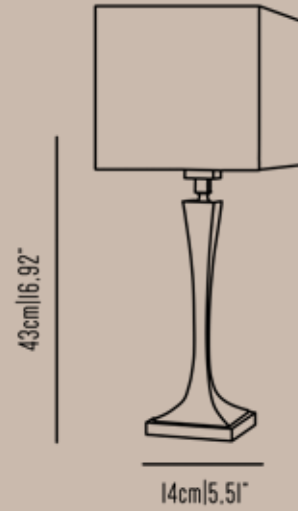
NOVECENTO 212 SMALL

(pg. 68)



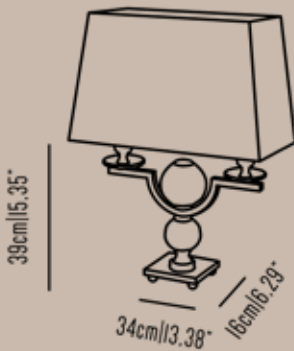
NOVECENTO 212 MEDIUM

(pg. 68)



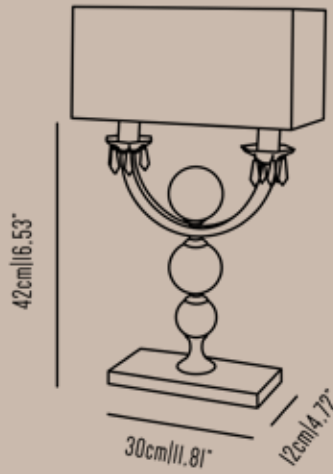
NOVECENTO 219 SMALL

(pg. 68)



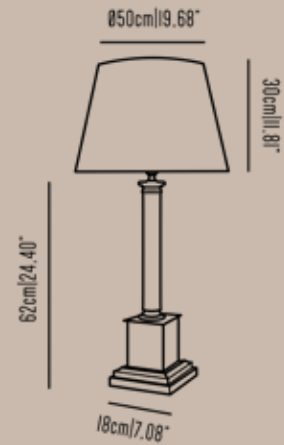
NOVECENTO 219 MEDIUM

(pg. 68)



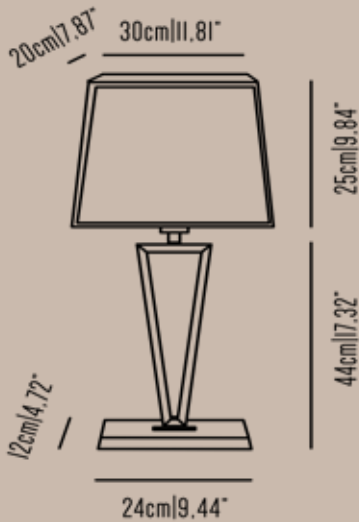
NOVECENTO 220

(pg. 69)



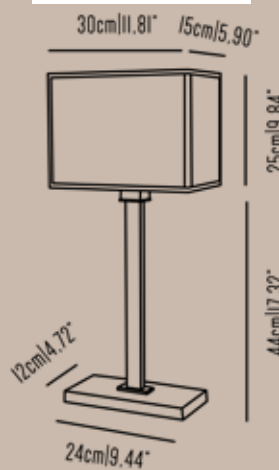
NOVECENTO 252

(pg. 69)



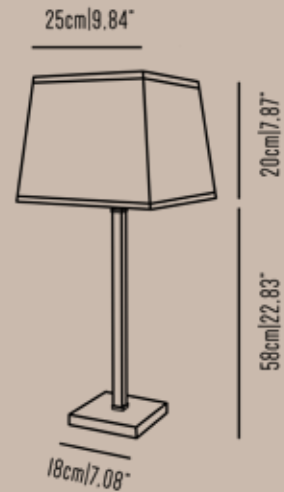
NOVECENTO 254

(pg. 69)



NOVECENTO 256

(pg. 69)

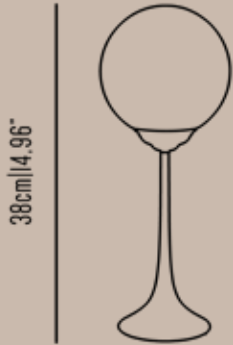


# Table Lamps

pg 150

NOVECEN TO 258 SMALL

(pg. 70)



38cm|14.96"

Ø15cm|5.90"

NOVECEN TO 258 MEDIUM

(pg. 70)

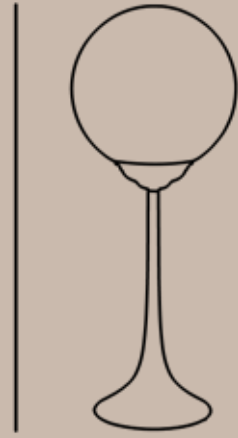


52cm|20.47"

Ø20cm|7.87"

NOVECEN TO 258 LARGE

(pg. 70)

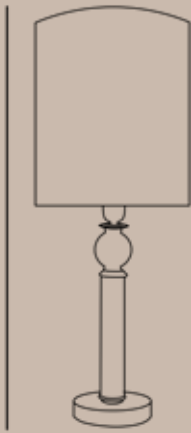


65cm|25.59"

Ø25cm|9.84"

NOVECEN TO 263

(pg. 70)



45cm|17.71"

15cm|5.90"

NOVECEN TO 262

(pg. 71)

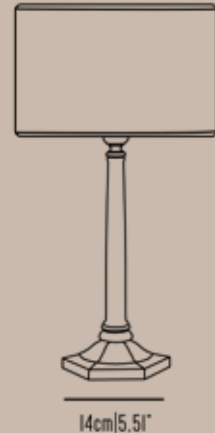


38cm|14.96"

Ø12.5cm|4.92"

NOVECEN TO 265

(pg. 71)

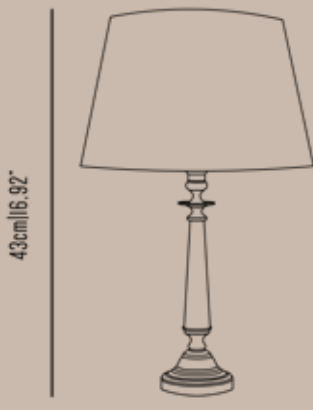


43cm|16.92"

14cm|5.51"

NOVECEN TO 266

(pg. 72)

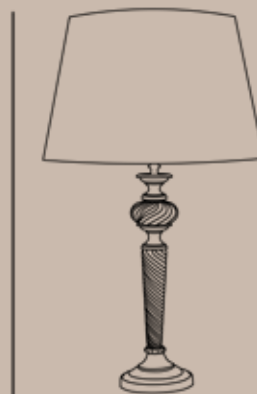


43cm|16.92"

13cm|5.11"

NOVECEN TO 267

(pg. 72)

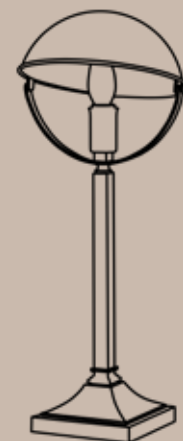


45.5cm|17.91"

13cm|5.11"

NOVECEN TO 268

(pg. 72)



56.5cm|22.04"

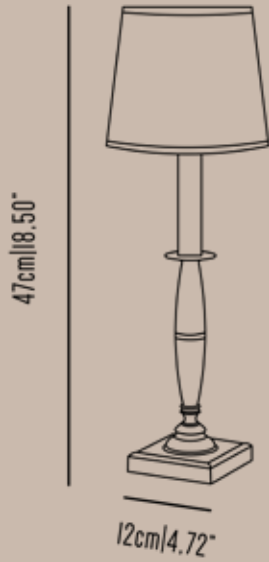
Ø22cm|8.66"

# Table Lamps

pg 151

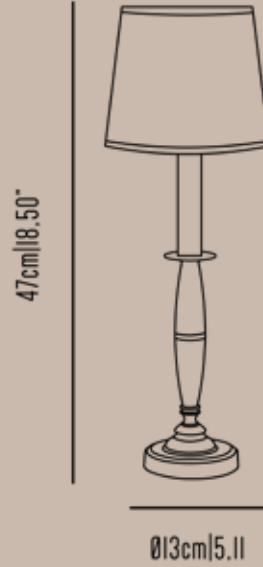
NOVECENTO 269

(pg. 73)



NOVECENTO 270

(pg. 73)



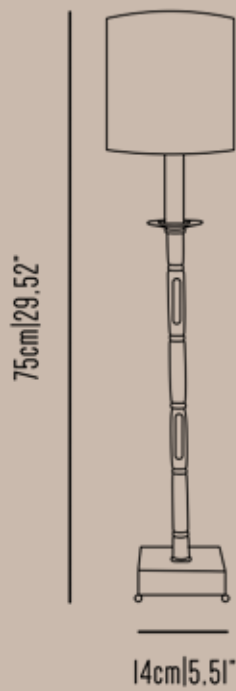
NOVECENTO 276

(pg. 75)



NOVECENTO 271

(pg. 74)



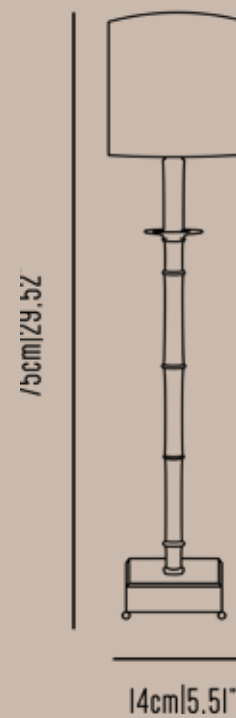
NOVECENTO 272

(pg. 74)



NOVECENTO 273

(pg. 74)

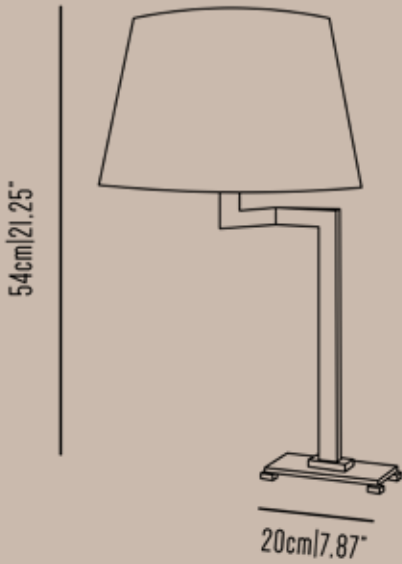


# Table Lamps

pg 152

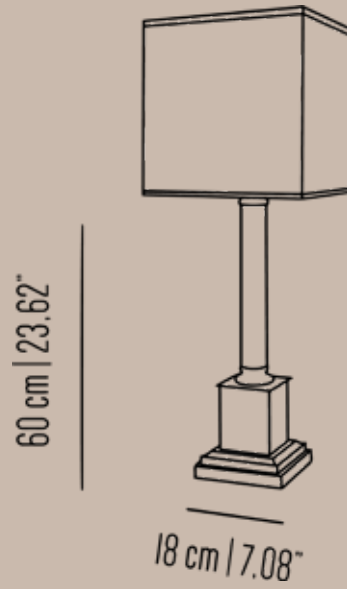
NOVECENTO 277

(pg. 75)



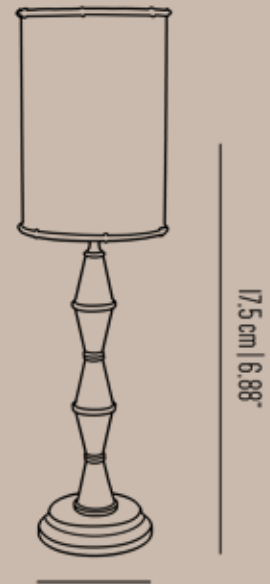
NOVECENTO 274

(pg. 75)



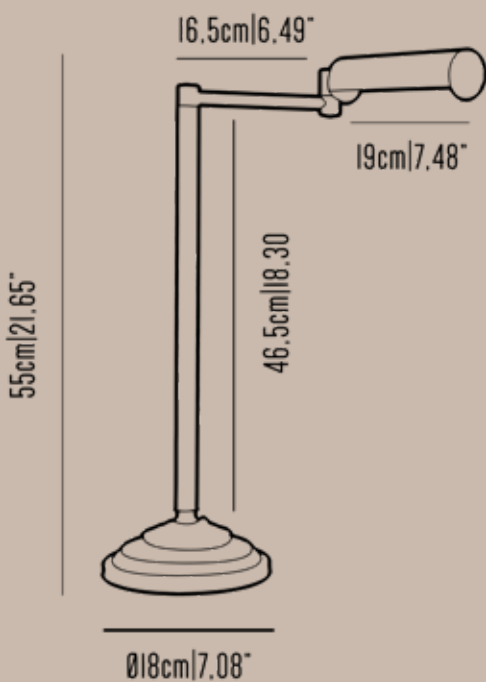
NOVECENTO 278

(pg. 76)



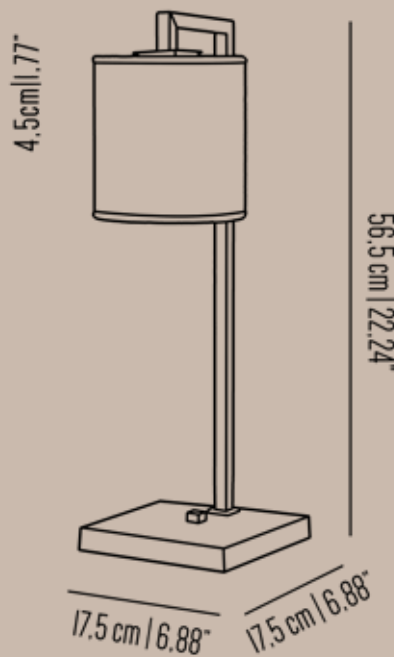
STUDIO 416

(pg. 76)



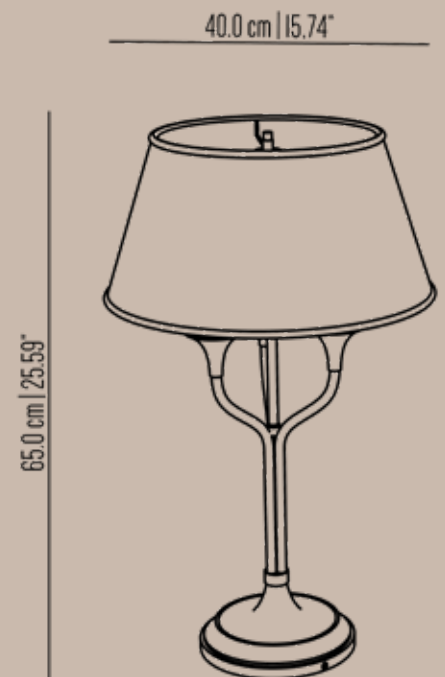
STUDIO 417

(pg. 77)



STUDIO 418

(pg. 77)

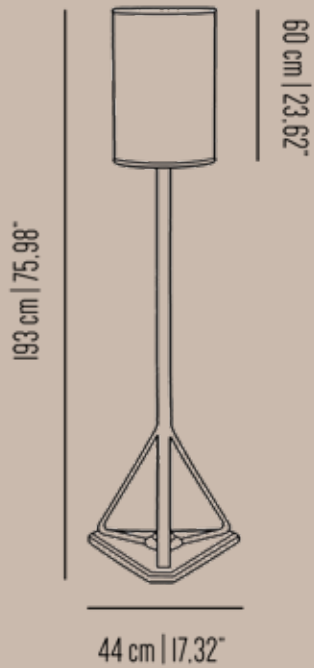


# Floor Lamps

pg 153

URBAN 01 RUZ

(pg. 80)



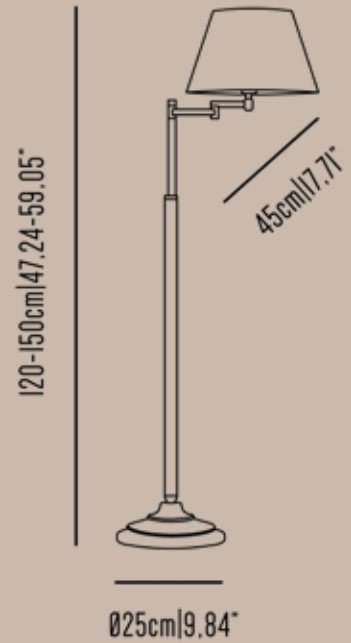
NOVECENTO 230

(pg. 80)



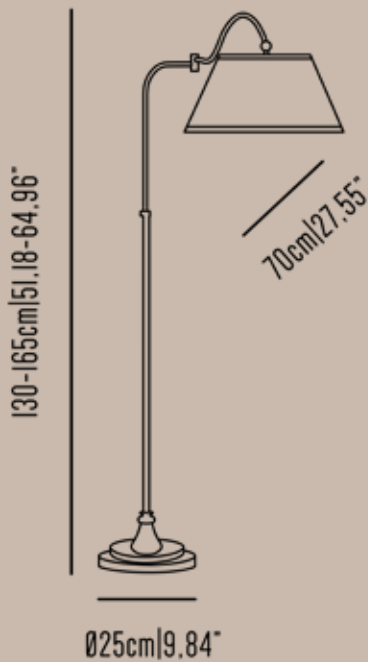
STUDIO 401

(pg. 80)



STUDIO 402

(pg. 81)



STUDIO 403

(pg. 81)



STUDIO 404

(pg. 81)

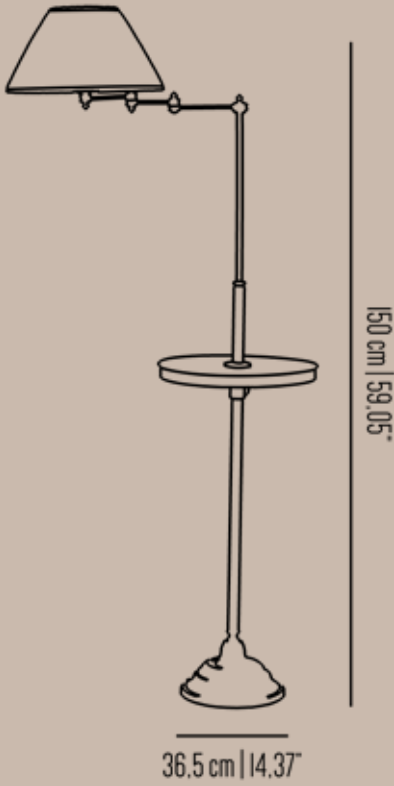


# Floor Lamps

pg 154

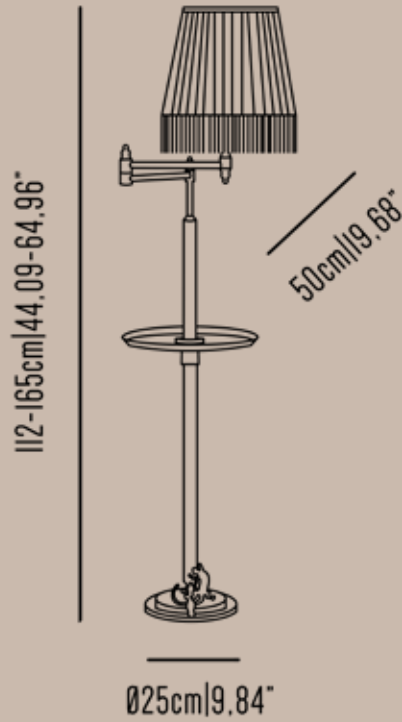
STUDIO 405

(pg. 82)



STUDIO 415

(pg. 82)



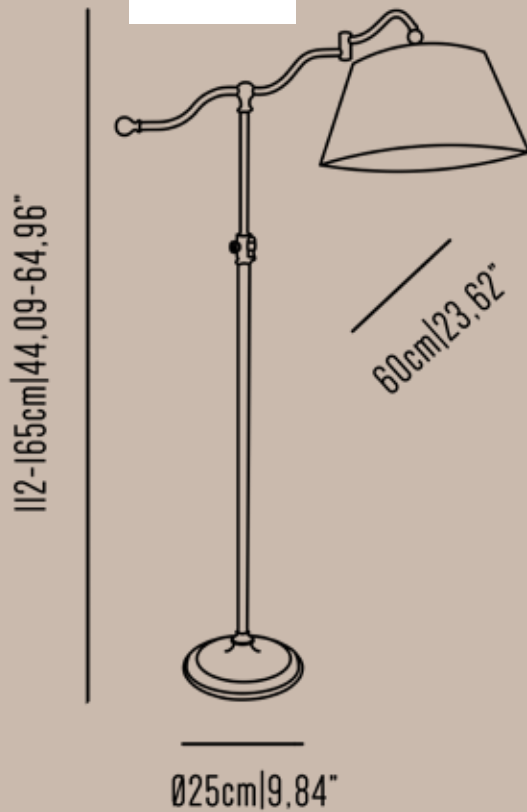
STUDIO 416

(pg. 82)



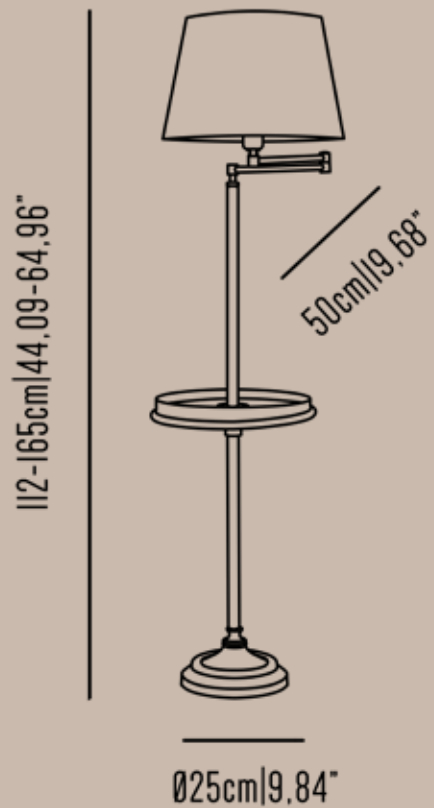
STUDIO 417

(pg. 83)



STUDIO 418

(pg. 83)

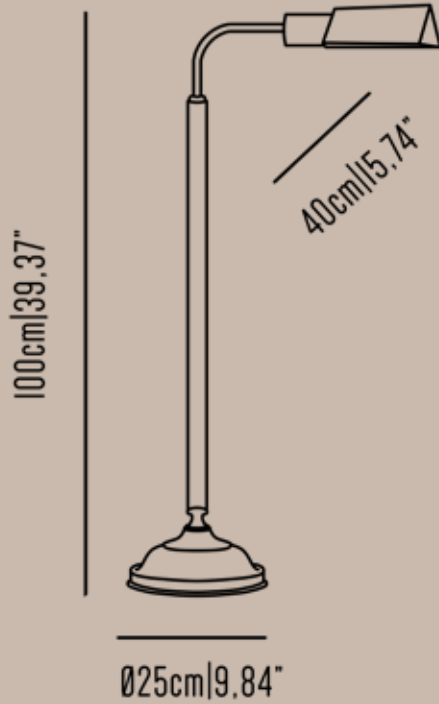


# Floor Lamps

pg 155

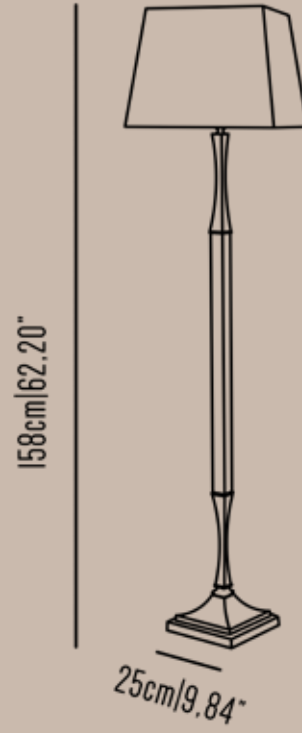
STUDIO 430

(pg. 84)



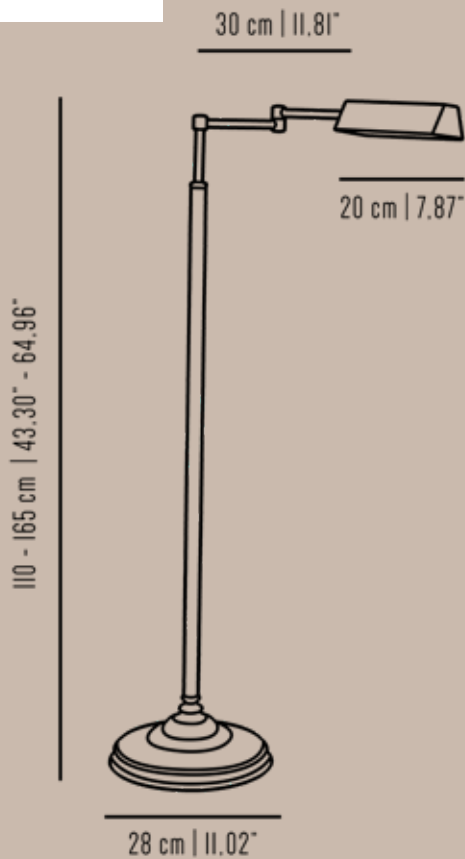
STUDIO 431

(pg. 84)



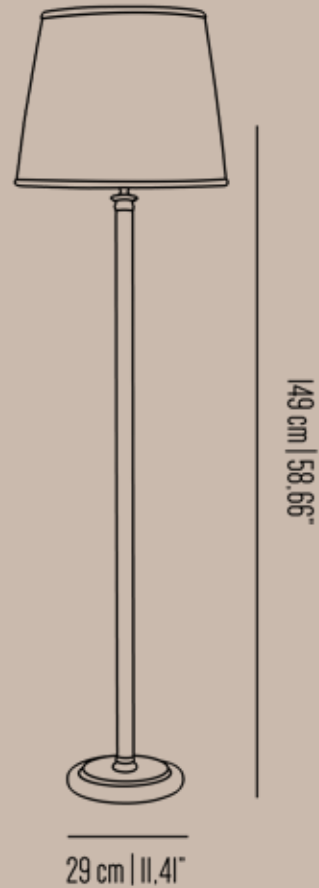
STUDIO 422

(pg. 85)



STUDIO 429

(pg. 85)



# Tables & Consolles

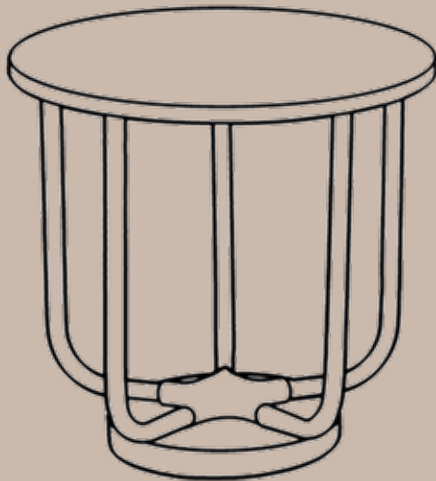
pg 156

URBAN 01 STAR

(pg. 88)

50 cm | 19,69"

54 cm | 21,26"

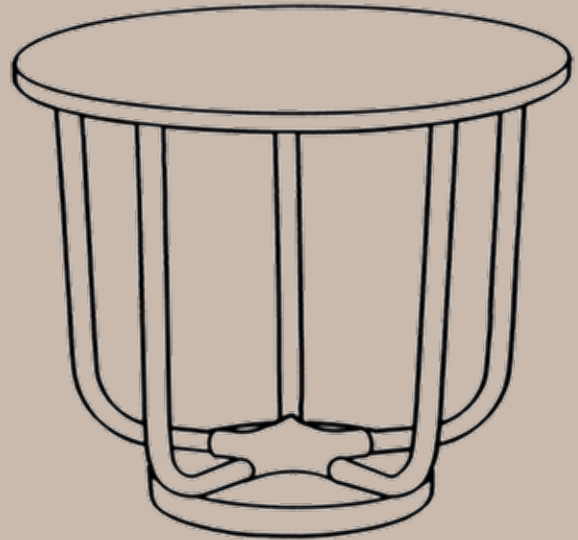


URBAN 02 STAR

(pg. 88)

75 cm | 29,53"

74 cm | 29,13"

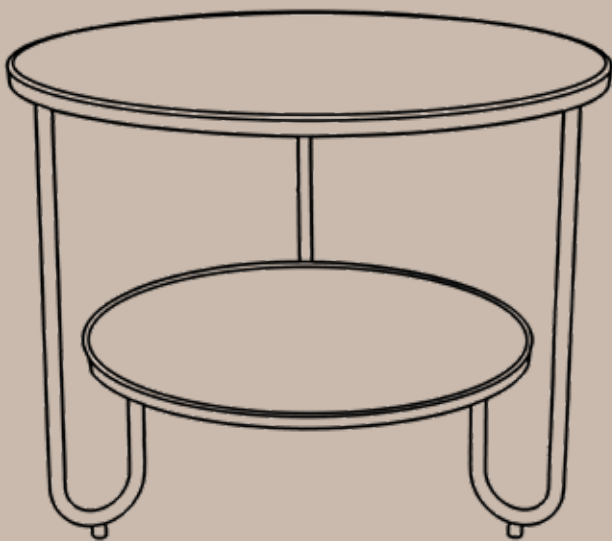


URBAN 03 MEDIUM UMBRELLA

(pg. 89)

80 cm | 31,49"

60 cm | 23,62"

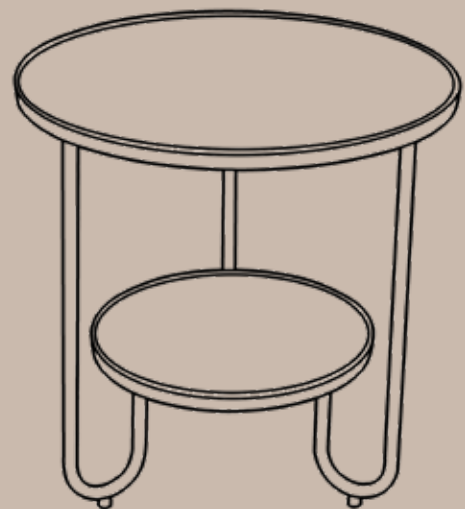


URBAN 03 SMALL UMBRELLA

(pg. 89)

60 cm | 23,62"

60 cm | 23,62"



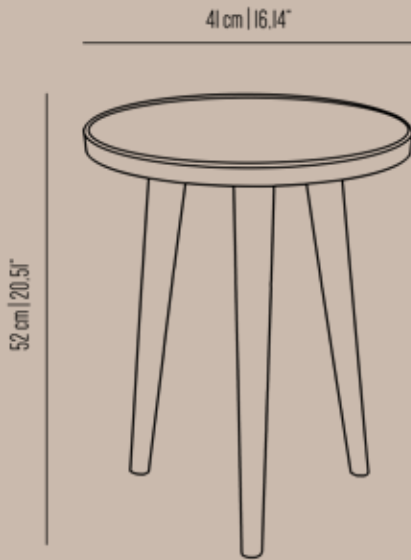


# Tables & Consolles

pg 157

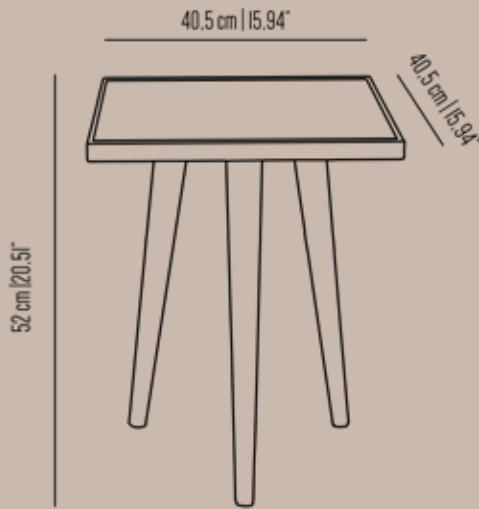
URBAN 04

(pg. 90)



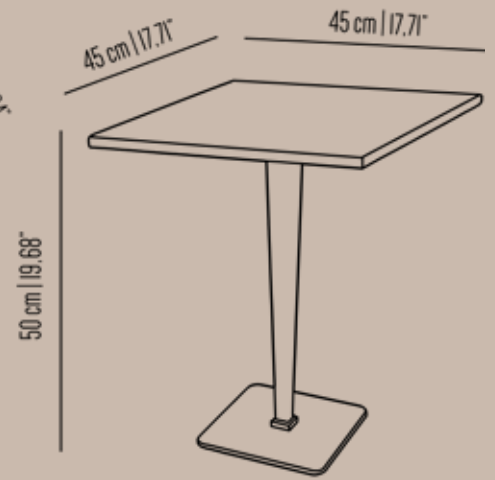
URBAN 05

(pg. 90)



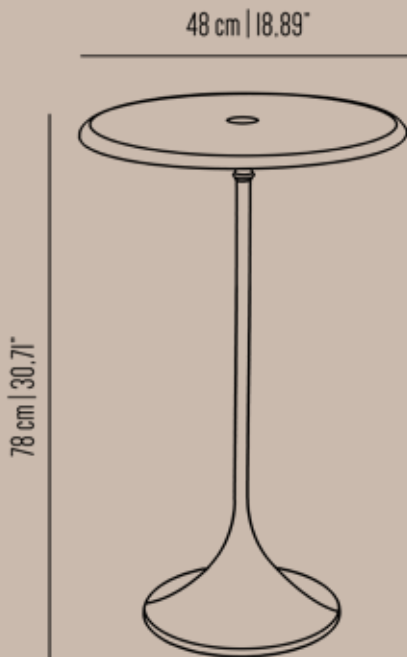
URBAN 06

(pg. 91)



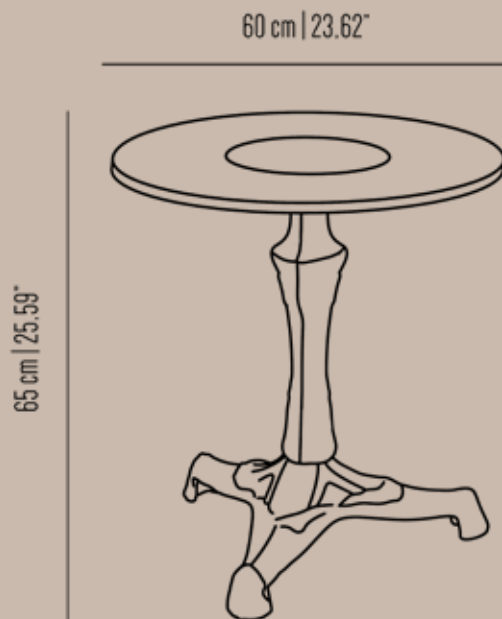
NOVECENTO 250

(pg. 91)



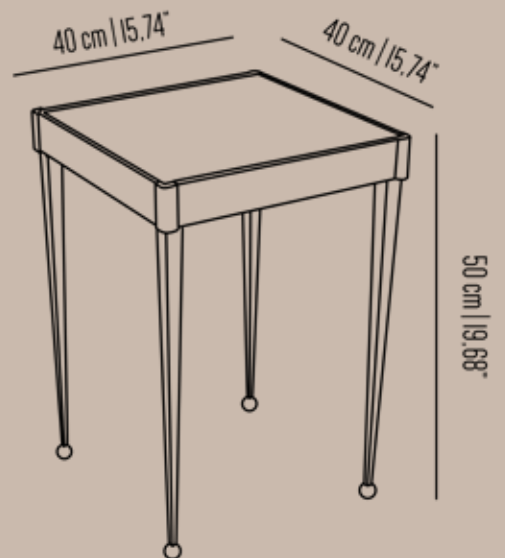
NOVECENTO 251

(pg. 92)



NOVECENTO 252

(pg. 92)

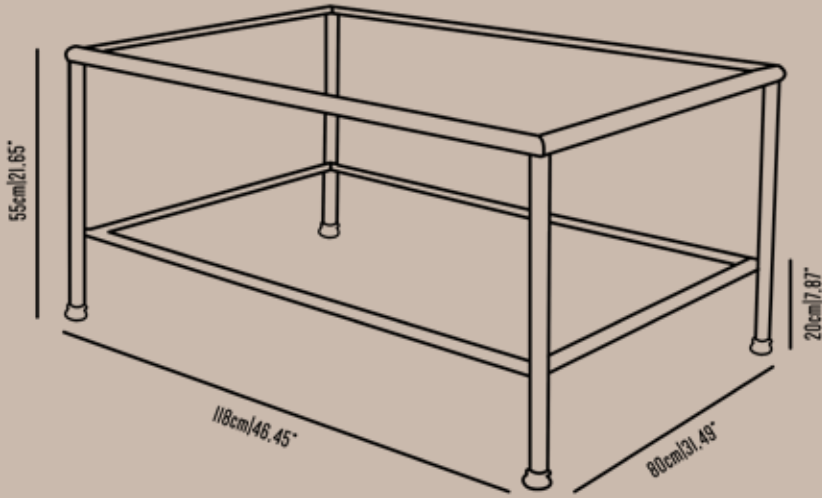


# Tables & Consolles

pg 158

URBAN 90

(pg. 89)



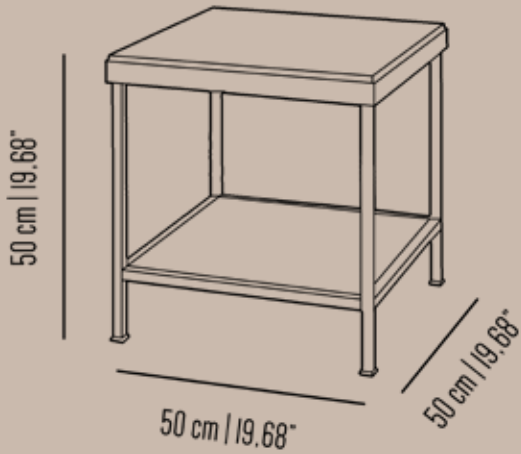
NOVECENTO 271

(pg. 93)



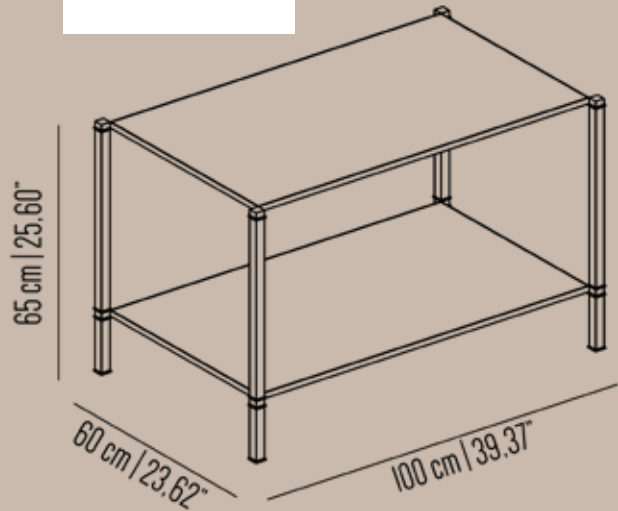
NOVECENTO 262

(pg. 93)



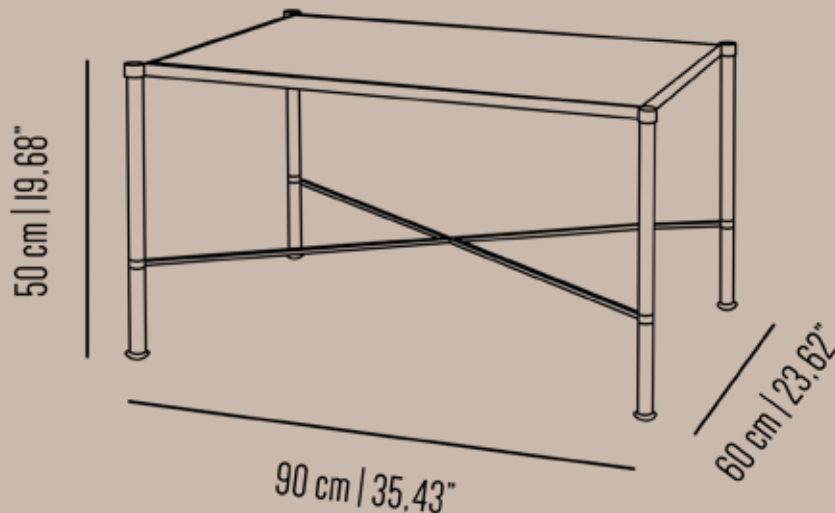
NOVECENTO 261

(pg. 93)



NOVECENTO 260

(pg. 92)

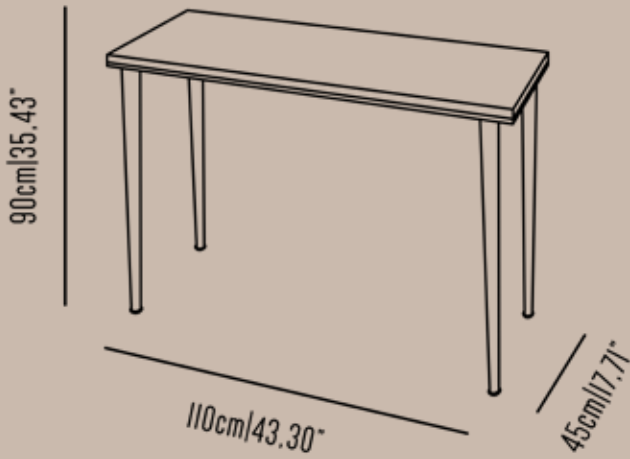


# Tables & Consolles

pg 159

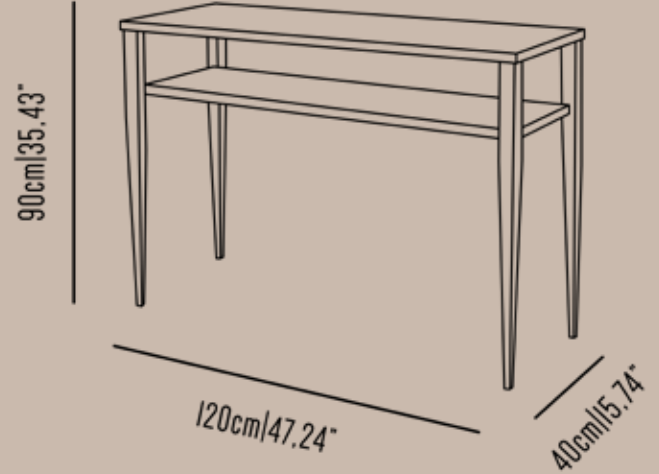
NOVECENTO 292

(pg. 94)



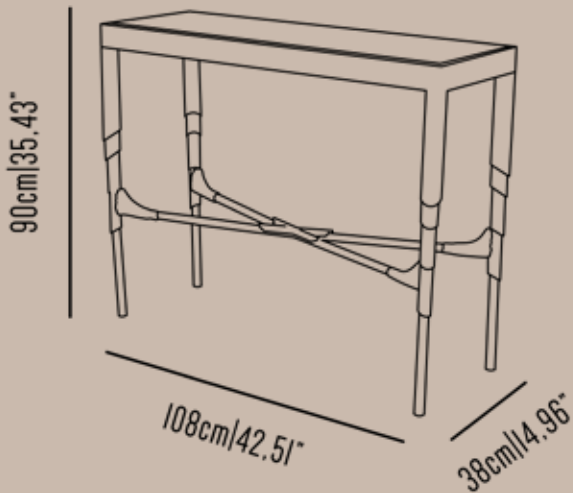
NOVECENTO 290

(pg. 94)



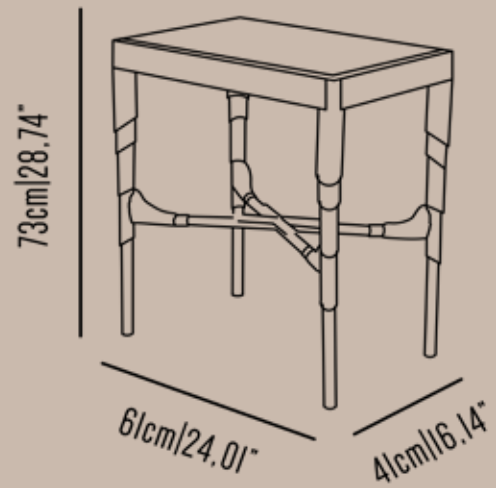
NOVECENTO 293 LARGE

(pg. 95)



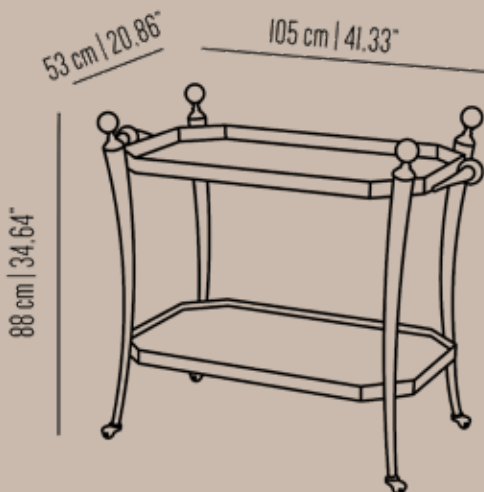
NOVECENTO 293 SMALL

(pg. 95)



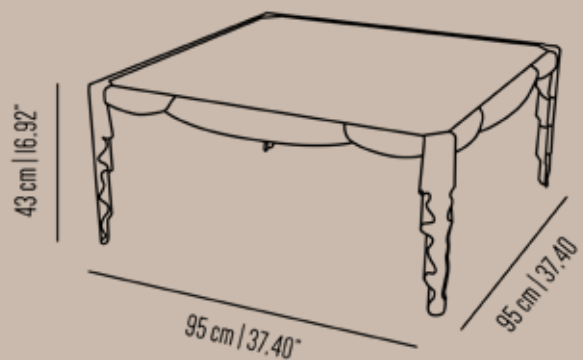
NOVECENTO 291

(pg. 94)



NOVECENTO 294

(pg. 95)



# Mirrors

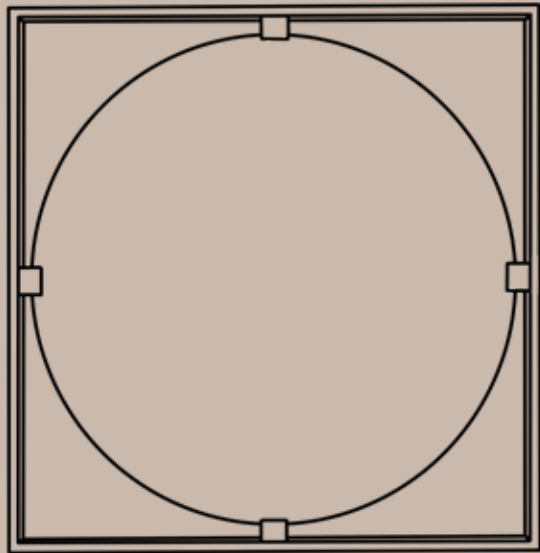
pg 160

URBAN 50

(pg. 98)

100 cm | 39.37"

100 cm | 39.37"

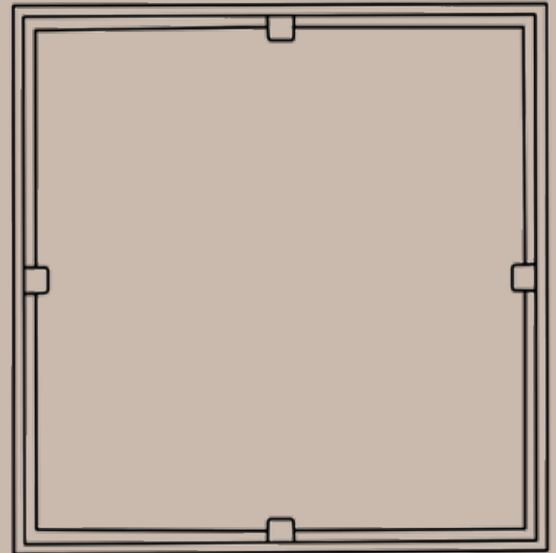


URBAN 51

(pg. 99)

100.0 cm | 39.37"

100.0 cm | 39.37"

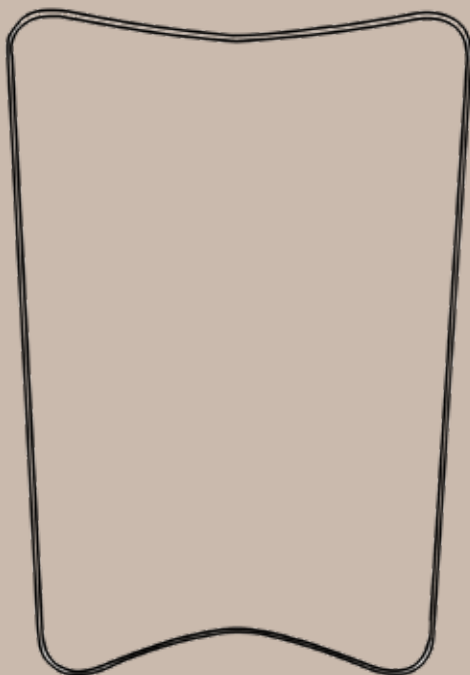


URBAN 52

(pg. 101)

73 cm | 28.74"

102 cm | 40.16"

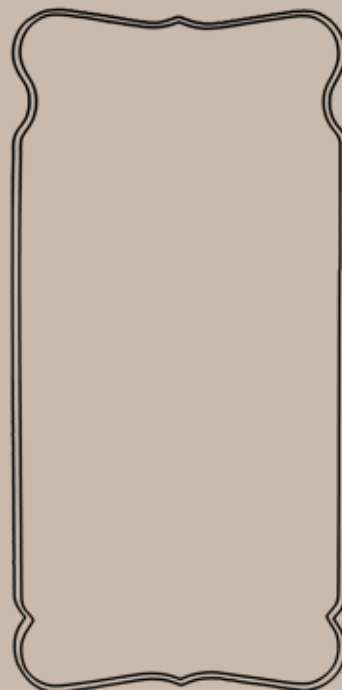


URBAN 55

(pg. 102)

50 cm | 19.68"

100 cm | 39.37"

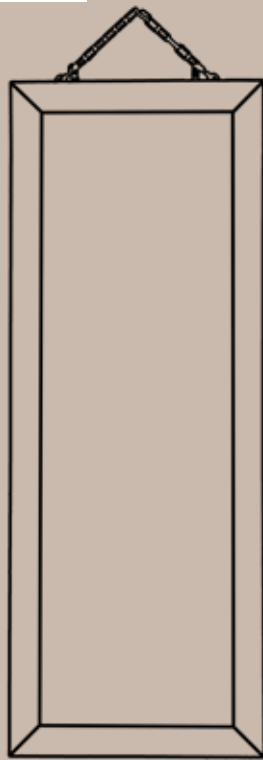


# Mirrors

pg 161

URBAN 54

(pg. 100)

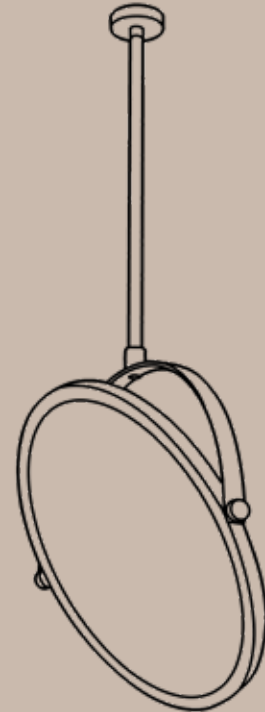


90 cm | 35.43"

34 cm | 13.38"

URBAN 53

(pg. 100)



102 cm | 40.15"

56 cm | 22.04"

URBAN 56

(pg. 103)



60 cm | 23.62"

100 cm | 39.37"

# Bookshelves

pg 162

## URBAN 01 BOOK

(pg. 104)



## URBAN 02 BOOK

(pg. 104)

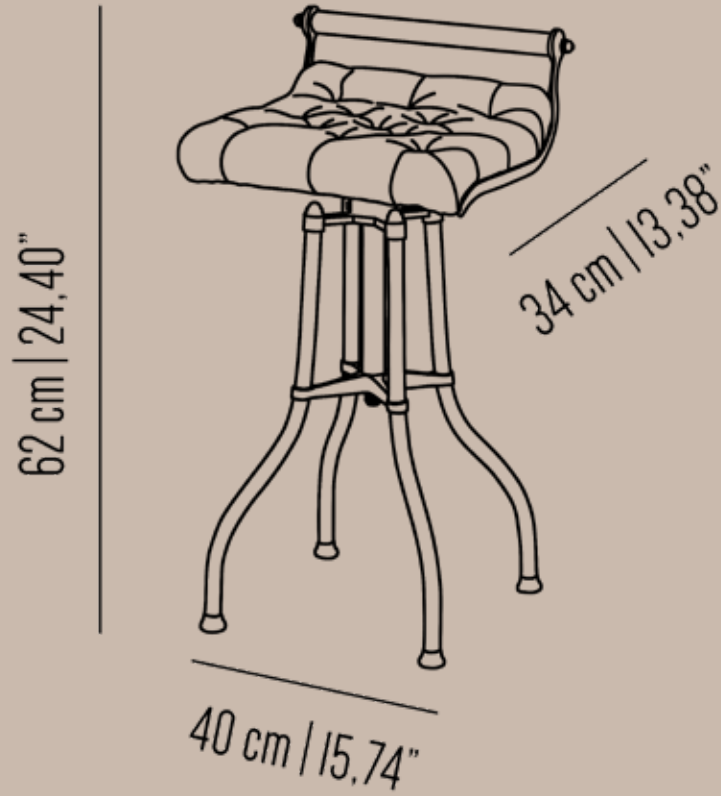


# Stools

pg 163

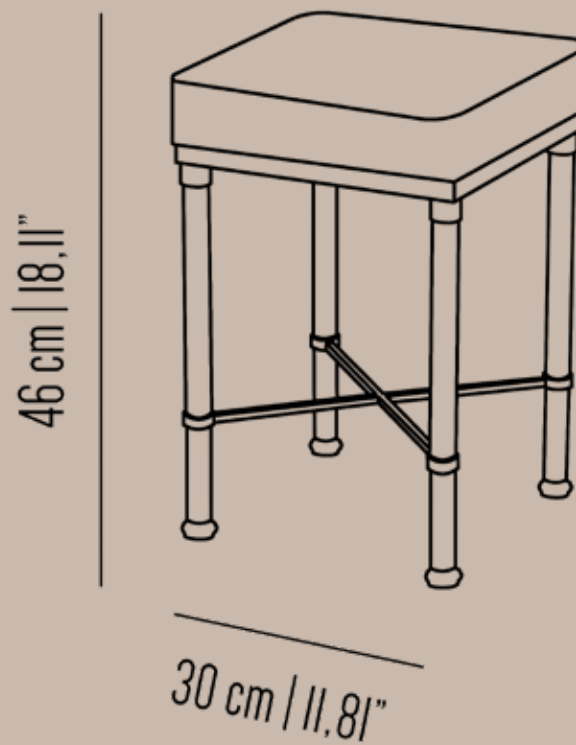
NOVECENTO 300

(pg. 105)



NOVECENTO 301

(pg. 105)









# *Finishes & Colours*



*Timeless*

*Gli intramontabili, per ogni ambiente*

# Brass Colour Finishes

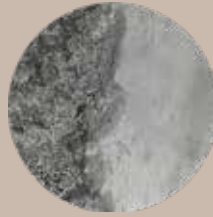
pg 166



chrome



satin  
chrome



polished  
gunmetal



silver



polished  
gold



satin  
gold



super  
gold



satin  
super  
gold



oxid  
gold



natural  
brass



satin  
brass



amber  
brass



burnished  
brass



waxed  
black



nickel



satin  
nickel



black  
nickel

# Aluminium and Iron Finishes

pg 167



gold leaf



silver leaf



champagne  
leaf



copper leaf



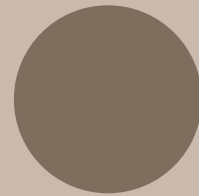
9005  
Jet black



9010  
Pure white



9001  
Cream



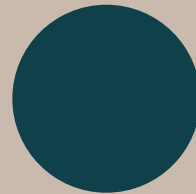
7006  
Beige  
grey



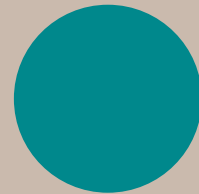
7010  
Tarpaulin  
grey



6010  
Grass green



5020  
Ocean  
blu



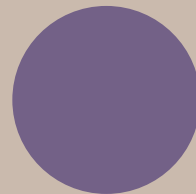
5018  
Turquoise  
blue



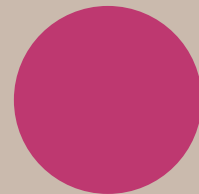
5010  
Genzian  
blue



5003  
Zaphire  
blue



4011  
Pearl  
violet



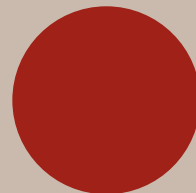
4010  
Tele  
Magenta



3015  
Light  
Pink



3005  
Wine red



3002  
Carmine  
red



2004  
Orange



1003  
Signal  
yellow



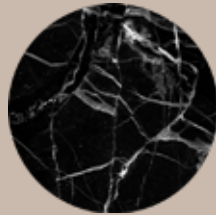
1013  
Oyster  
white

# Marble

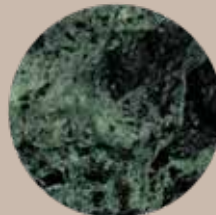
pg 168



white  
carrara



black  
marquina



green  
alpe



brown  
emperador

# Wood



walnut  
wood



cherry  
wood



white  
varnished  
wood



black  
varnished  
wood



white  
lacquered  
wood



black  
lacquered  
wood

# Glass and Mirror



satin



extra clear



black



gray fumè



fumè



chrome  
mirror



antique  
mirro

# Fabric

pg 169



chocolate  
high grain  
linen



beige  
high grain  
linen



beige  
high grain  
linen



brown  
velvet



blue  
velvet



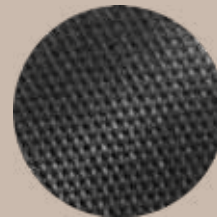
pink  
velvet



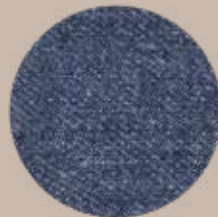
beige  
cotton



black  
cotton



vinyl



denim



Hermes



jute

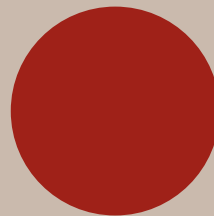
# Wires



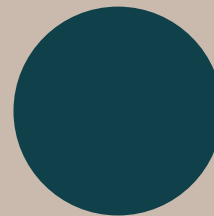
black



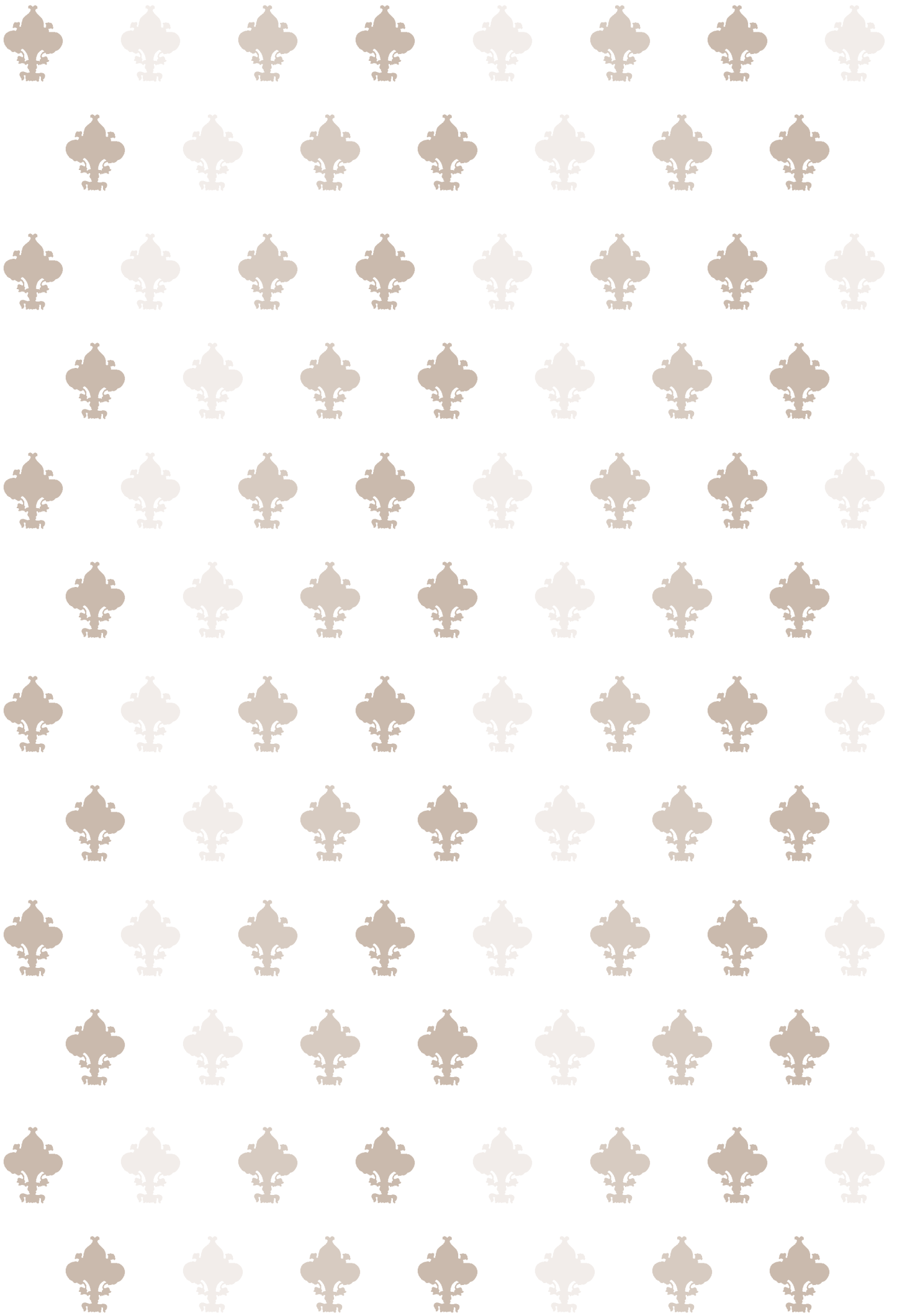
white



red



light blu







Bronzetto srl

+39 055 229288

Bottega: Via Senese 50r

Showroom: Via Romana 15r

50125 Firenze, Italia

marketing@ilbronzetto.com

www.ilbronzetto.com

by **Bronzetto**