

FRITZ HANSEN



RO™ NEW TEXTILES A COMFORT ZONE

Introducing bright, new upholstery options for RO™, a wonderful lounge chair by Spanish designer Jaime Hayon.

A COMFORT ZONE

Ro™ is a one-and-a-half seater and some have called it a comfort zone. It is easy to relax in, change position or have a newspaper, laptop or small child next to you.

Ro™ is designed for the curves of the body with no sharp edges or angles and maximum comfort with a neck cushion. The chair has become popular for living rooms, nurseries, offices and lounges.

Two-tone, textile combinations for shell and cushions give the Ro™ a fresh playful, look.



VIDAR - 472 / RAAS - 442

DESIGNER

Spanish artist and designer Jaime Hayon (b. 1974) has collaborated with Fritz Hansen for more than ten years on furniture and accessories.

NEW TEXTILES

Twill Weave, Safire, Vidar & Rass

MODEL NUMBER

JH1 / JH2
JH11/JH12

DESIGN

Jaime Hayon, 2013

MATERIALS

The shell of the chair is created in hard polyurethane foam with glass fibre re-enforcement of the edges, just like the Egg™ and Swan™. The footstool has a bottom plate made of MDF on which the seat cushion is mounted. Seat cushions for the chair and the footstool are made of moulded polyurethane foam to achieve the right form and comfort. The back cushion on the chair is made of two slices of soft foam with a lumbar support to increase ergonomics and comfort. The neck cushion is a construction of form-pressed veneer with a super soft foam. It's mounted with two fittings and it is therefore possible to order and change the entire neck cushion.

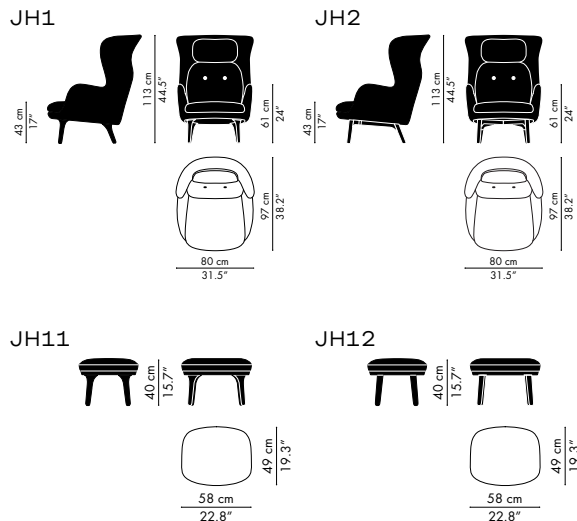
The base comes with four legs in satin brushed aluminium (JH1/JH11) or oak (JH2/JH12). Each leg has mounted nylon glides suitable for most floors.

WARRANTY

Standard: 5 years (Wooden base, Cushions, Fabric, Leather: Soft)

Extended: 10 years (Aluminium base, Shell, Leather: Rustik, Natural, Grace, Embrace)

DIMENSIONS

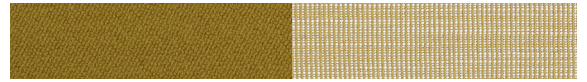


ASSORTMENT 2019

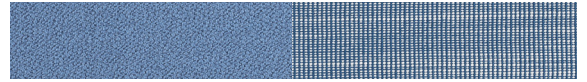


VIDAR - 733 / RAAS - 742

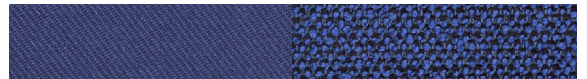
NEW TEXTILES



VIDAR 472 / RASS 442



VIDAR 733 / RASS 742



TWILL WEAVE 780 / SAFIRE 011

UPHOLSTERY CATEGORIES

CHRISTIANSHAVN

CATEGORY 1: CANVAS*, CAPTURE, DIABLO*,
FAME, MOOD, REMIX*, RIME, TONUS

CATEGORY 2: BALDER, DIVINA, DIVINA MD,
DIVINA MELANGE, FIORD,
HALLINGDAL, **SAFIRE**, STEELCUT,
STEELCUT TRIO, SUNNIVA,

TWILL WEAVE

CATEGORY 3: **RAAS, VIDAR**

CATEGORY 4: SOFT

CATEGORY 5: EMBRACE, GRACE, NATUR, RUSTIK

* ONLY CUSHIONS & FOOTSTOOL

